



**FITTING INSTRUCTIONS FOR CP0443 CRASH PROTECTORS**  
**DUCATI MULTISTRADA 1260, 1260S 2018-**

Page | 1



PICTURE A



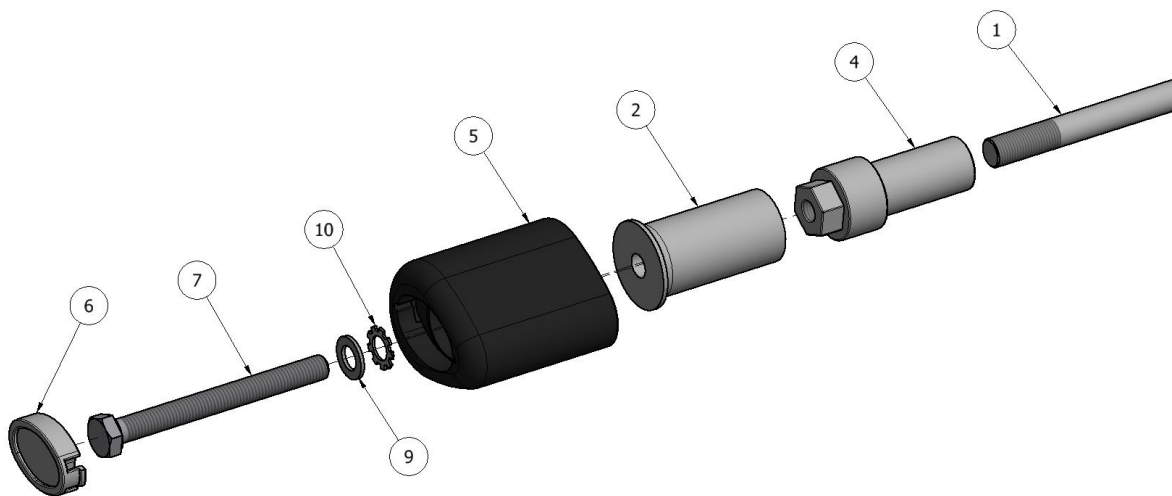
PICTURE B

**THIS KIT CONTAINS THE ITEMS PICTURED AND LABELLED BELOW.**  
**DO NOT PROCEED UNTIL YOU ARE SURE ALL PARTS ARE PRESENT.**

Please note that the way the kit is packed does not necessarily represent the way of mounting to the bike

THE PARTS SHOWN MAY BE REPRESENTATIVE ONLY (FOR CLARITY OF INSTRUCTIONS ONLY)

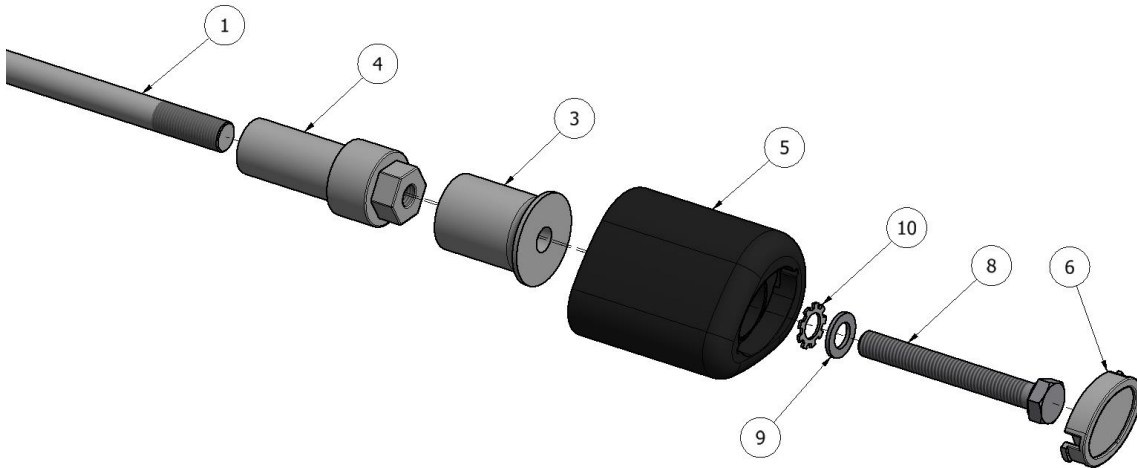
**LEFT SIDE**





## **RIGHT SIDE**

Page | 2



## **LEGEND**

- ITEM 1= M12 ENGINE-BAR (265mm LONG) (EB052) (x1).
- ITEM 2= 60mm SPACER (S1107) (x1).
- ITEM 3= 40mm SPACER (S1108) (x1).
- ITEM 4= EXTENSIONS (E0058) (x2).
- ITEM 5= CRASH PROTECTOR (B0061 WITH CS341) (x2).
- ITEM 6= CRASH PROTECTOR CAPS (BC0002) (x2).
- ITEM 7= M10x1.25x105mm LONG HEX HEAD BOLT (x1).
- ITEM 8= M10x1.25x85mm LONG HEX HEAD BOLT (x1).
- ITEM 9= M10 PLAIN WASHERS (x2).
- ITEM 10= LOCK-WASHERS (LW0001) (x2).
- ITEM 11= BUBBLE-STICKERS (RGS0005) (x4).

Please note that in cases where kits are packed with rubber washers holding the components onto the bolt – *the rubber washers should be thrown away!*

## **TOOLS REQUIRED**

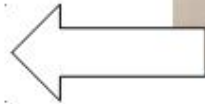
- Socket set to include 15, 17 and 20mm sockets and wrench.
  - Set of metric allen keys to include 8mm A/F
    - Torque wrench (up to 40Nm).

R&G

Unit 1, Shelley's Lane, East Worldham, Alton, Hampshire, GU34 3AQ  
Tel: +44 (0)1420 89007 Fax: +44 (0)1420 87301 [www.rg-racing.com](http://www.rg-racing.com) Email: [info@rg-racing.com](mailto:info@rg-racing.com)



TOWARDS REAR  
OF BIKE



TOWARDS FRONT  
OF BIKE



PICTURE C

## **INSTRUCTIONS**

- Undo the nut on the engine bolt located mid engine (as arrowed in pictures A and B).
- Take R&G tie bar and, with a soft hammer, use it to knock through the OEM bolt leaving equal amounts protruding on each side of the frame.
- Fit the extensions on each end of tie bar (the smaller diameter goes inside the frame) and tighten.
- Take the left side 105mm M10 bolt (item 7) and slide a plain washer (item 9) up to the head of the bolt, followed by a lock-washer (item 10). Pass the bolt through a crash protector (item 5) and then slide the 60mm spacer (item 2) over the bolt (the larger diameter sits against the back face of protector) and up to the protector. Fit this assembly to the left side extension (item 4).
- Repeat this process for the right side of the bike using the 85mm bolt and 40mm spacer (items 8 and 3 respectively).
- **PLEASE NOTE BOBBIN MUST BE POSITIONED AS IN PICTURE 'C' ABOVE WITH BIGGER END TOWARD FRONT OF BIKE.** Tighten bolt until you feel some compression from inside the protector. Turn a little more so that you feel the compression increase slightly. Then apply a quarter turn. Tighten to 40Nm of torque (do not exceed this figure, as damage can occur to the motorcycle and the bolt).
- When the protectors are tight fit the caps in to the protector.
- If not already fitted fit bubble sticker into recess of bobbin cap.

*DUE TO THE RISK OF CROSS-THREADING OF BOLTS ETC; WE ALWAYS RECOMMEND THAT OUR PRODUCTS BE FITTED BY ONE OF OUR OFFICIAL DEALERS OR A QUALIFIED MECHANIC.*

Issue 2 28/03/2018 (HB)

**Digital copies of these instructions are available to download from [www.rg-racing.com](http://www.rg-racing.com)**

### **CONSUMER NOTICE**

The catalogue description and any exhibition of samples are only broad indications of the Products and R&G may make design changes which do not diminish their performance or visual appeal and supplying them in such state shall conform to the order. The Buyer acknowledges no representation or warranty (other than as to title) has been given or will apply to the Products other than those in R&G's order or confirmation and the Buyer confirms it has chosen the Products as being of merchantable quality and suitable for its particular purposes. Where R&G fits the Products or undertakes other services it shall exercise reasonable skill and care and rectify any fault free of charge unless the workmanship has been disturbed. The Buyer is responsible for ensuring that the warranty on the motorcycle is not affected by the fitting of the Products. On return of any defective Products R&G shall at its option either supply a replacement or refund the purchase money but shall not be liable if the Products have been modified or used or maintained otherwise than in accordance with R&G's or manufacturer's instructions and good engineering practice or if the defect arises from accident or neglect. Other than identified above and subject to R&G not limiting its liability for causing death and personal injury, it shall not be liable for indirect or consequential loss and otherwise its liability shall be limited to the amounts paid by the Buyer for the Products or the fitting or service concerned. These terms do not affect the Buyer's statutory rights.

R&G

Unit 1, Shelley's Lane, East Worldham, Alton, Hampshire, GU34 3AQ

Tel: +44 (0)1420 89007 Fax: +44 (0)1420 87301 [www.rg-racing.com](http://www.rg-racing.com) Email: [info@rg-racing.com](mailto:info@rg-racing.com)



**R&G RETURNS POLICY (NON-FAULTY GOODS)**

Returns must be pre-authorised (if not pre-authorised the return will be rejected). Goods may only be returned direct to us if they were purchased direct from us (customer must prove if necessary). Otherwise to be returned to original vendor. Goods must be in re-sellable condition, in the opinion of R&G. All returns are subject to a 25% restocking and handling fee (25% of the gross value exc. P&P – at the prevailing price at time of purchase). The customer must pay any and all carriage charges. No returns of discontinued products, unless within 14 days of purchase. This policy does not affect your statutory rights and does not refer to faulty goods.



**NOTICE DE MONTAGE CP0443 PROTECTIONS CRASH**  
**DUCATI MULTISTRADA 1260, 1260S 2018**

Page | 5



PHOTO A



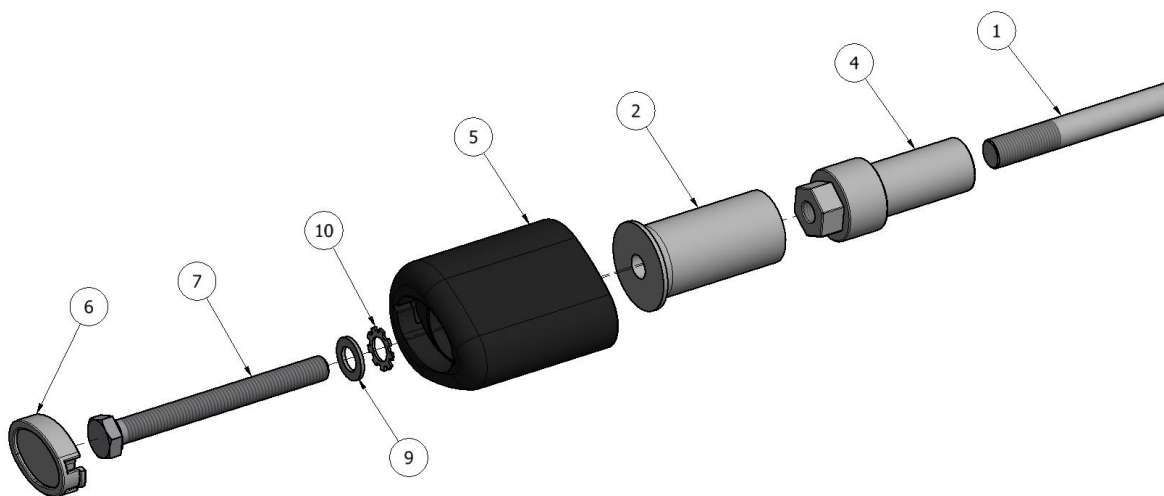
PHOTO B

**Le kit contient les articles exposés ci-dessous, vérifier que toutes les pièces soient présentes avant de procéder au montage.**

**La façon dont le kit est emballé ne correspond pas forcément à la façon de monter les pièces sur la moto.**

**LES PARTIES PRESENTEES PEUVENT ETRE UNIQUEMENT REPRESENTATIVES (POUR LA CLARTE DES INSTRUCTIONS UNIQUEMENT).**

**CÔTÉ GAUCHE**



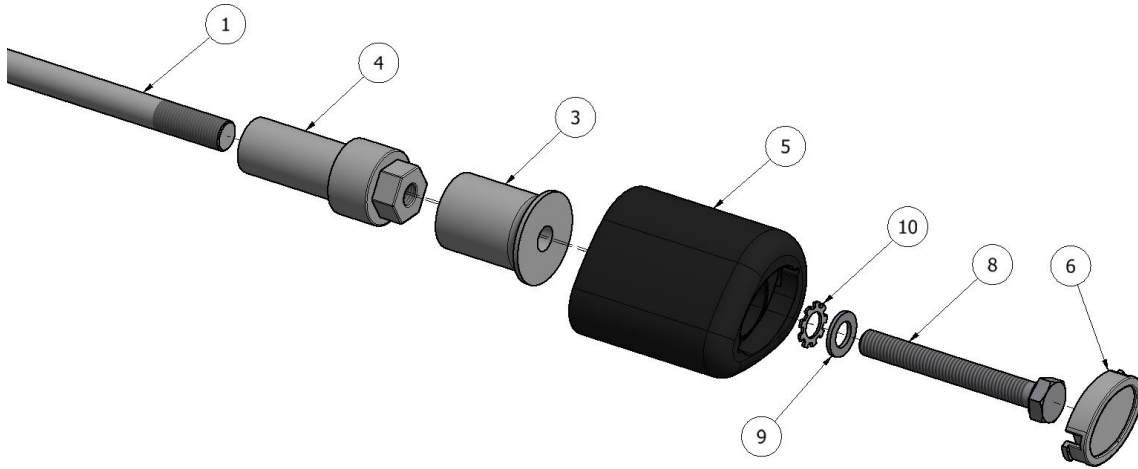
R&G

Unit 1, Shelley's Lane, East Worldham, Alton, Hampshire, GU34 3AQ  
Tel: +44 (0)1420 89007 Fax: +44 (0)1420 87301 [www.rg-racing.com](http://www.rg-racing.com) Email: [info@rg-racing.com](mailto:info@rg-racing.com)



## CÔTÉ DROIT

Page | 6



## LÉGENDE

- ARTICLE 1= M12 AXE MOTEUR (265mm DE LONG) (EB052) (x1).  
ARTICLE 2= 60mm ENTRETOISE (S1107) (x1).  
ARTICLE 3= 40mm ENTRETOISE (S1108) (x1).  
ARTICLE 4= EXTENSIONS (E0058) (x2).  
ARTICLE 5= PROTECTION CRASH (B0061 WITH CS341) (x2).  
ARTICLE 6= CAPUCHONS DE PROTECTION CRASH (BC0002) (x2).  
ARTICLE 7= M10x1.25x105mm BOULON (x1).  
ARTICLE 8= M10x1.25x85mm BOULON (x1).  
ARTICLE 9= M10 RONDELLES (x2).  
ARTICLE 10= RONDELLES DE BLOCAGE (LW0001) (x2).  
ARTICLE 11= STICKERS EN CAOUTCHOUC (RGS0005) (x4).

Notez que si les kits sont emballés avec des rondelles en caoutchouc servant à tenir les composants, *ces rondelles doivent être jetées !*

## OUTILS REQUIS

- Jeu de clé 15, 17 et 20mm.
- Jeu de clé Allen 8mm A/F
- Clé dynamométrique (40Nm)

R&G

Unit 1, Shelley's Lane, East Worldham, Alton, Hampshire, GU34 3AQ  
Tel: +44 (0)1420 89007 Fax: +44 (0)1420 87301 [www.rg-racing.com](http://www.rg-racing.com) Email: [info@rg-racing.com](mailto:info@rg-racing.com)





ARRIÈRE MOTO



AVANT MOTO

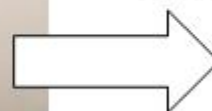


PHOTO C

### NOTICE DE MONTAGE

- Enlever l'écrou du boulon moteur place à mi moteur (voir flèches sur les photos A et B).
- Prendre l'axe R&G, puis, à l'aide d'un maillet, tapotez le boulon d'origine en laissant une longueur équivalente dépasser de chaque côté du cadre.
- Monter les extensions sur chaque extrémité de l'axe (le plus petit diamètre va à l'intérieur du cadre) puis serrer.
- Prendre le boulon 105mm M10 du côté gauche (article 7) puis glisser une rondelle (article 9) sur la tête du boulon, suivie d'une rondelle de blocage (article 10). Passer le boulon dans la protection crash (article 5) puis glisser une entretoise 60mm (article 2) sur le boulon (le diamètre le plus large se place contre la face arrière de la protection) et sur la protection. Monter l'ensemble sur l'extension du côté gauche (article 4).
- Répéter ce process du côté droit de la moto en utilisant un boulon de 85mm et une entretoise de 40mm (respectivement articles 8 et 3).
- **LA PROTECTION DOIT ETRE POSITIONNEE COMME EN "C" AVEC LE CÔTÉ ARRONDI LE PLUS GROS EN DIRECTION DE L'AVANT DE LA MOTO.** Serrer le boulon de la protection jusqu'à ce que vous sentiez une compression de l'intérieur de la protection. Tourner un peu plus afin d'accentuer légèrement la compression. Faire un quart de tour. Serrer à 40Nm de couple (Ne pas excéder cette valeur, car cela pourrait endommager la moto et le boulon).
- Lorsque les protections sont serrées, insérer les capuchons dans les protections.
- Si cela n'est pas déjà fait, insérer les stickers dans le bouchon de chacune des protections.

DU FAIT DES RISQUES INHÉRENTS A L'INSTALLATION DU PRODUIT ETC; NOUS RECOMMANDONS DE FAIRE EFFECTUER L'INSTALLATION PAR UN REVENDEUR OFFICIEL OU UN MÉCANICIEN QUALIFIÉ.

Issue 2 28/03/2018 (HB)

**Notice disponible au téléchargement sur [www.rg-racing.com](http://www.rg-racing.com)**

#### CONSUMER NOTICE

The catalogue description and any exhibition of samples are only broad indications of the Products and R&G may make design changes which do not diminish their performance or visual appeal and supplying them in such state shall conform to the order. The Buyer acknowledges no representation or warranty (other than as to title) has been given or will apply to the Products other than those in R&G's order or confirmation and the Buyer confirms it has chosen the Products as being of merchantable quality and suitable for its particular purposes. Where R&G fits the Products or undertakes other services it shall exercise reasonable skill and care and rectify any fault free of charge unless the workmanship has been disturbed. The Buyer is responsible for ensuring that the warranty on the motorcycle is not affected by the fitting of the Products. On return of any defective Products R&G shall at its option either supply a replacement or refund the purchase money but shall not be liable if the Products have been modified or used or maintained otherwise than in accordance with R&G's or manufacturer's instructions and good engineering practice or if the defect arises from accident or neglect. Other than identified above and subject to R&G not limiting its liability for causing death and personal injury, it shall not be

R&G

Unit 1, Shelley's Lane, East Worldham, Alton, Hampshire, GU34 3AQ

Tel: +44 (0)1420 89007 Fax: +44 (0)1420 87301 [www.rg-racing.com](http://www.rg-racing.com) Email: [info@rg-racing.com](mailto:info@rg-racing.com)



liable for indirect or consequential loss and otherwise its liability shall be limited to the amounts paid by the Buyer for the Products or the fitting or service concerned. These terms do not affect the Buyer's statutory rights.

**R&G RETURNS POLICY (NON-FAULTY GOODS)**

Returns must be pre-authorized (if not pre-authorized the return will be rejected). Goods may only be returned direct to us if they were purchased direct from us (customer must prove if necessary). Otherwise to be returned to original vendor. Goods must be in resellable condition, in the opinion of R&G. All returns are subject to a 25% restocking and handling fee (25% of the gross value exc. P&P – at the prevailing price at time of purchase). The customer must pay any and all carriage charges. No returns of discontinued products, unless within 14 days of purchase. This policy does not affect your statutory rights and does not refer to faulty goods.





**MONTAGEANLEITUNG FÜR CP0443 STURZPADS  
DUCATI MULTISTRADA 1260, 1260S 2018-**

Page | 9



ABBILDUNG A



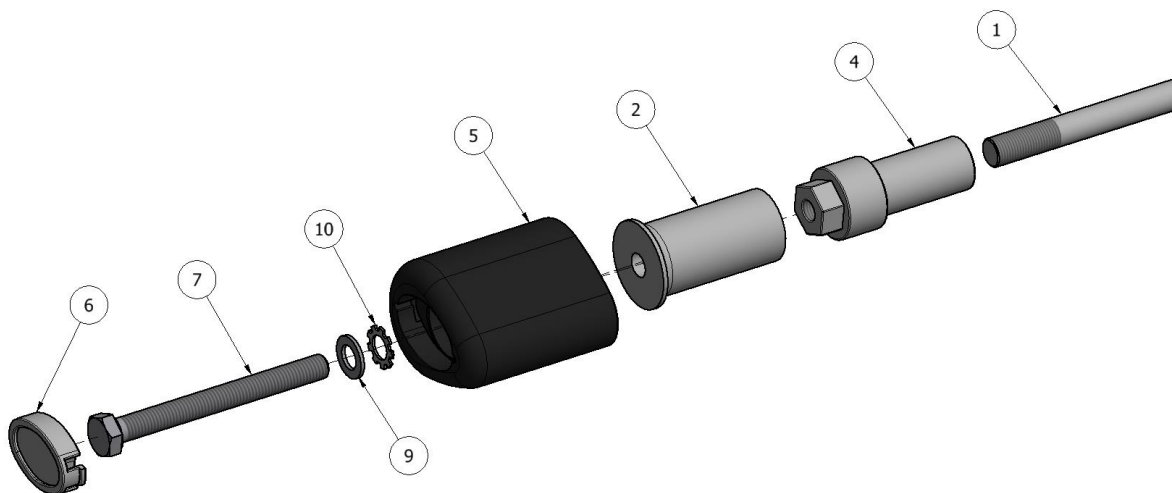
ABBILDUNG B

**ALLE KIT-TEILE SIND UNTEN ABGEBILDET UND GEKENNZEICHNET. BEVOR SIE MIT DER MONTAGE BEGINNEN, ÜBERPRÜFEN SIE, DASS ALLE TEILE VORHANDEN SIND.**

**Hinweis: Die Verpackung der Teile stellt nicht die Reihenfolge der Montage dar.**

DIE UNTEN ABGEBILDETEN TEILE DIENEN LEDIGLICH ZUR ERKLÄRUNG

**LINKE SEITE**



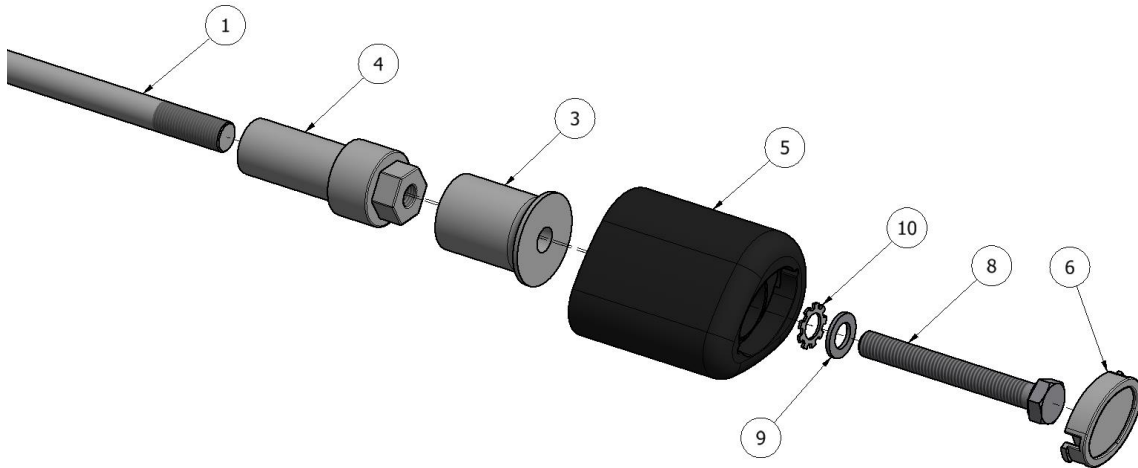
R&G

Unit 1, Shelley's Lane, East Worldham, Alton, Hampshire, GU34 3AQ  
Tel: +44 (0)1420 89007 Fax: +44 (0)1420 87301 [www.rg-racing.com](http://www.rg-racing.com) Email: [info@rg-racing.com](mailto:info@rg-racing.com)



## RECHTE SEITE

Page | 10



## LIEFERUMGANG

- ARTIKEL 1= M12 VERBINDUNGSSTANGE (265mm LÄNGE) (EB052) (x1)
- ARTIKEL 2= 60 mm DISTANZHALTER (S1107) (x1)
- ARTIKEL 3= 40 mm DISTANZHALTER (S1108) (x1)
- ARTIKEL 4= VERLÄNGERUNGSTÜCKE (E0058) (x2)
- ARTIKEL 5= STURZPADS (B0061 mit CS341) (x2)
- ARTIKEL 6= SCHUTZKAPPEN (BC0002) (x2)
- ARTIKEL 7= M10x1,25x105mm SECHSKANTSCHRAUBE (x1)
- ARTIKEL 8= M10x1,25x85mm SECHSKANTSCHRAUBE (x1)
- ARTIKEL 9= M10 UNTERLEGSCHLEIBEN (x2)
- ARTIKEL 10= ZAHNSCHLEIBEN (LW0001) (x2)
- ARTIKEL 11= BUBBLE-AUFKLEBER (RGS0005) (x4)

Hinweis für Kits mit Plastikunterlegscheiben an den Schrauben – *Diese Plastikunterlegscheiben werden nicht für den Einbau benötigt!*

## SIE BENÖTIGEN FOLGENDES WERKZEUG:

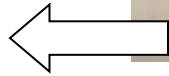
- Steckschlüsselsatz mit 15, 17 und 20 mm Steckschlüsseln
- Inbusschlüsselsatz mit einem 8mm Steckschlüssel
  - Drehmomentschlüssel (bis 40Nm)

R&G

Unit 1, Shelley's Lane, East Worldham, Alton, Hampshire, GU34 3AQ  
Tel: +44 (0)1420 89007 Fax: +44 (0)1420 87301 [www.rg-racing.com](http://www.rg-racing.com) Email: [info@rg-racing.com](mailto:info@rg-racing.com)



MOTORRAD  
HINTEN



MOTORRAD  
VORNE

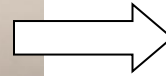


ABBILDUNG 'C'

## MONTAGEANLEITUNG

- Lösen Sie die Mutter am Motorbolzen (mittig am Motor - siehe Abbildungen A und B).
- Nehmen Sie die R&G Verbindungsstange und benutzen Sie sie, mit Hilfe eines Schonhammers, um den Originalmotorhaltebolzen durchzuschieben bis die Verbindungsstange an beiden Seiten des Motorrads den gleichen Abstand hat.
- Montieren Sie die Verlängerungen an beiden Enden der Verbindungsstange (der kleinere Durchmesser geht in den Rahmen) und befestigen.
- Nehmen Sie die M10x1,25x105mm Sechskantschraube (Artikel 7) für die linke Seite und eine Unterlegscheibe (Artikel 9) - schieben Sie die Unterlegscheibe zum Schraubenkopf hoch, danach eine Zahnscheibe (Artikel 10) zur Unterlegscheibe hochschieben. Die Schraube mit den Unterlegscheiben in eins der Sturzpads (Artikel 5) einführen. Danach den 60mm Distanzhalter (Artikel 2) über die Schraube (der größere Durchmesser liegt an der Rückfläche des Sturzpads an) zum Sturzpad hochschieben. Montieren Sie die Einheit am Verlängerungsstück für die linke Seite (Artikel 4).
- Den Vorgang an der rechten Seite des Motorrads wiederholen – hierbei die 85mm Schraube und den 40mm Distanzhalter (Artikel 8 und 3) verwenden.
- **BITTE DARAUF ACHTEN, DASS DAS STURZPAD WIE IN ABBILDUNG 'C' POSITIONIERT IST – DAS GRÖßERE ENDE DES STURZPADS ZUM VORDERTEIL DES MOTORRADS GERICHTET.** Ziehen Sie die Schraube fest, bis Sie etwas Druck vom Inneren des Sturzpads spüren. Noch etwas drehen, bis Sie merken, dass der Druck sich leicht erhöht, dann noch eine Vierteldrehung anwenden. Nicht überdrehen – dies kann zu einer Beschädigung des Motorrads führen. 40 Nm Anzugsmoment nicht überschreiten!
- Montieren Sie die Schutzkappen an den Sturzpads.
- Wenn noch nicht bereits montiert, montieren Sie einen Bubble-Aufkleber in der Vertiefung der Sturzpad-Schutzkappe.

**UM EIN EVENTUELLES ÜBERDREHEN ODER VERKANTEN DER SCHRAUBEN ZU VERMEIDEN, EMPFEHLEN WIR IMMER, UNSERE KITS VON EINEM UNSERER OFFIZIELLEN HÄNDLER ODER EINEM QUALIFIZIERTEN ZWEIRADMECHANIKER MONTIEREN ZU LASSEN.**

Ausgabe 2 28/03/2018 (HB)

**Eine digitale Version dieser Montageanleitung kann auf folgender Seite heruntergeladen werden:**  
[www.rg-racing.com](http://www.rg-racing.com)

R&G

Unit 1, Shelley's Lane, East Worldham, Alton, Hampshire, GU34 3AQ  
Tel: +44 (0)1420 89007 Fax: +44 (0)1420 87301 [www.rg-racing.com](http://www.rg-racing.com) Email: [info@rg-racing.com](mailto:info@rg-racing.com)



#### CONSUMER NOTICE

The catalogue description and any exhibition of samples are only broad indications of the Products and R&G may make design changes which do not diminish their performance or visual appeal and supplying them in such state shall conform to the order. The Buyer acknowledges no representation or warranty (other than as to title) has been given or will apply to the Products other than those in R&G's order or confirmation and the Buyer confirms it has chosen the Products as being of merchantable quality and suitable for its particular purposes. Where R&G fits the Products or undertakes other services it shall exercise reasonable skill and care and rectify any fault free of charge unless the workmanship has been disturbed. The Buyer is responsible for ensuring that the warranty on the motorcycle is not affected by the fitting of the Products. On return of any defective Products R&G shall at its option either supply a replacement or refund the purchase money but shall not be liable if the Products have been modified or used or maintained otherwise than in accordance with R&G's or manufacturer's instructions and good engineering practice or if the defect arises from accident or neglect. Other than identified above and subject to R&G not limiting its liability for causing death and personal injury, it shall not be liable for indirect or consequential loss and otherwise its liability shall be limited to the amounts paid by the Buyer for the Products or the fitting or service concerned. These terms do not affect the Buyer's statutory rights.

Page | 12

#### R&G RETURNS POLICY (NON-FAULTY GOODS)

Returns must be pre-authorized (if not pre-authorized the return will be rejected). Goods may only be returned direct to us if they were purchased direct from us (customer must prove if necessary). Otherwise to be returned to original vendor. Goods must be in re-sellable condition, in the opinion of R&G. All returns are subject to a 25% restocking and handling fee (25% of the gross value exc. P&P – at the prevailing price at time of purchase). The customer must pay any and all carriage charges. No returns of discontinued products, unless within 14 days of purchase. This policy does not affect your statutory rights and does not refer to faulty goods.

R&G

Unit 1, Shelley's Lane, East Worldham, Alton, Hampshire, GU34 3AQ

Tel: +44 (0)1420 89007 Fax: +44 (0)1420 87301 [www.rg-racing.com](http://www.rg-racing.com) Email: [info@rg-racing.com](mailto:info@rg-racing.com)