



**FITTING INSTRUCTIONS FOR LSR0006**  
**LUGGAGE SIDE RAILS**  
**KAWASAKI KLR650 2022-**



**THIS KIT CONTAINS THE ITEMS PICTURED AND LABELLED OVER PAGE.**

SOME PARTS MAY BE SHOWN FOR CLARITY OF INSTRUCTIONS ONLY.

DO NOT PROCEED UNTIL YOU ARE SURE ALL PARTS ARE PRESENT.

**PLEASE READ ALL INSTRUCTIONS BEFORE PROCEEDING.**

**IF IN ANY DOUBT WHEN FITTING OUR PRODUCTS, CONSULT ONE OF OUR DEALERS  
OR HAVE FITTED BY A QUALIFIED TECHNICIAN.**

PLEASE NOTE THAT THE WAY THE KIT IS PACKED DOES NOT NECESSARILY REPRESENT THE WAY OF  
MOUNTING TO THE BIKE.

IN THE EVENT OF RUBBER WASHERS BEING USED TO HOLD COMPONENTS ONTO BOLTS,  
THESE RUBBER WASHERS CAN BE THROWN AWAY.

**DIGITAL COPIES OF THESE INSTRUCTIONS ARE AVAILABLE FROM:**

**[WWW.RG-RACING.COM](http://WWW.RG-RACING.COM)**

R&G Racing

Unit 1, Shelley's Lane, East Worldham, Alton, Hampshire, GU34 3AQ

Tel: +44 (0)1420 89007 Fax: +44 (0)1420 87301 [www.rg-racing.com](http://www.rg-racing.com) Email: [info@rg-racing.com](mailto:info@rg-racing.com)



<b><u>TOOLS REQUIRED</u></b>	<b><u>GENERAL TORQUE SETTINGS</u></b>
<ul style="list-style-type: none"> <li>• 13mm SPANNER</li> <li>• 5mm and 6mm ALLEN KEYS</li> </ul>	M4 BOLT = 8Nm M5 BOLT = 12Nm M6 BOLT = 15Nm M8 BOLT = 20Nm M10 BOLT = 40Nm M12 BOLT = 40Nm

### **LEGEND**

<b>ITEM NO.</b>	<b>DESCRIPTION</b>	<b>QTY</b>
ITEM 1	SMW0205 LHS LUGGAGE SIDE RAIL	1
ITEM 2	SMW0206 RHS LUGGAGE SIDE RAIL	1
ITEM 3	SMW0210 LHS LOWER MOUNTING BRACKET	1
ITEM 4	SMW0211 RHS LOWER MOUNTING BRACKET	1
ITEM 5	S0220 LHS LOWER MOUNTING SPACER	1
ITEM 6	S0686 RHS LOWER MOUNTING SPACER	1
ITEM 7	M8 x 1.25 x 35mm BLACK BUTTON HEAD BOLT	1
ITEM 8	M8 x 1.25 x 25mm BLACK BUTTON HEAD BOLT	1
ITEM 9	M8 x 19mm OD BLACK WASHER	2
ITEM 10	M8 x 1.25 NYLOC NUT	2
ITEM 11	M10 x 25mm OD BLACK WASHER	4

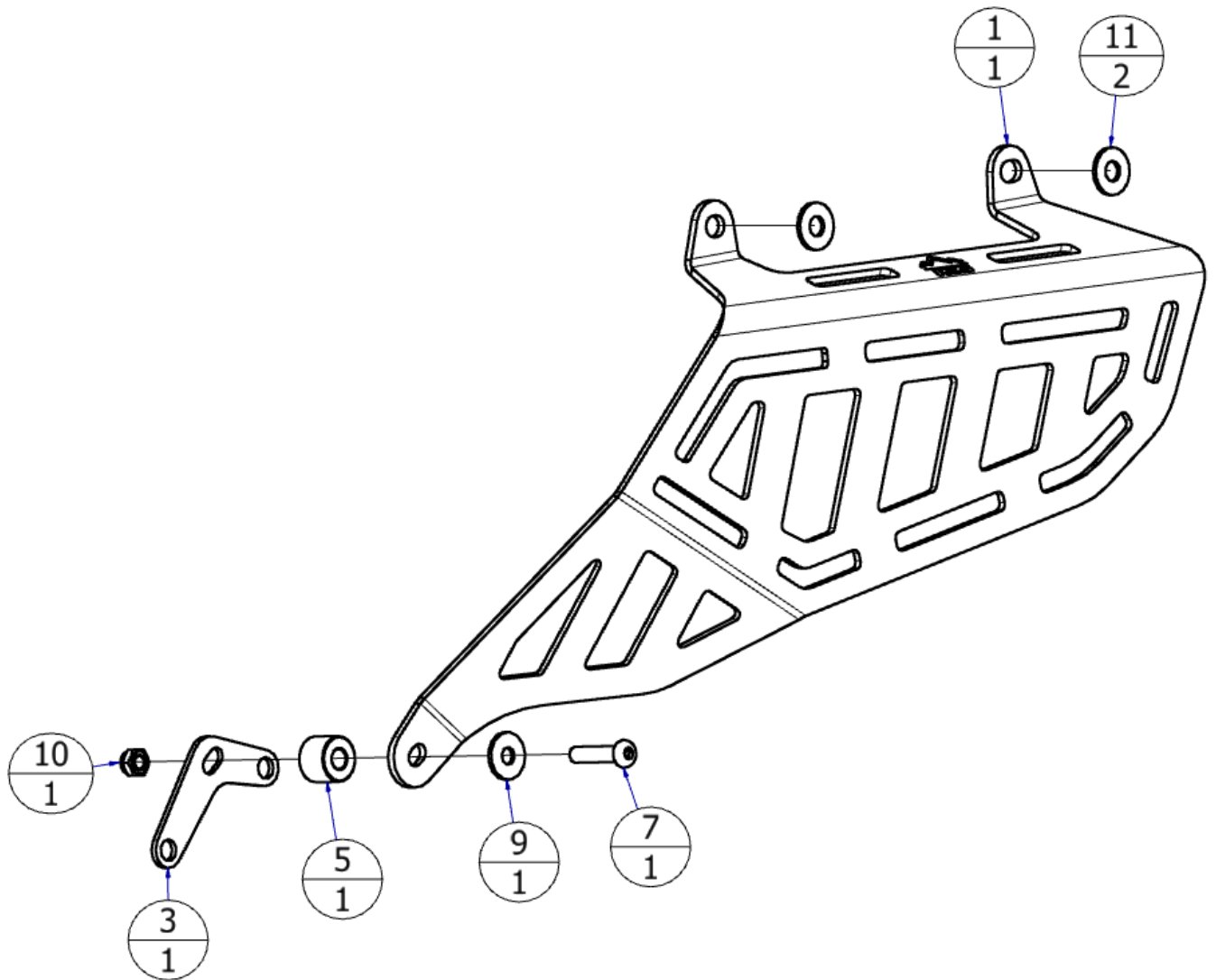
R&G Racing

Unit 1, Shelley's Lane, East Worldham, Alton, Hampshire, GU34 3AQ

Tel: +44 (0)1420 89007 Fax: +44 (0)1420 87301 [www.rg-racing.com](http://www.rg-racing.com) Email: [info@rg-racing.com](mailto:info@rg-racing.com)

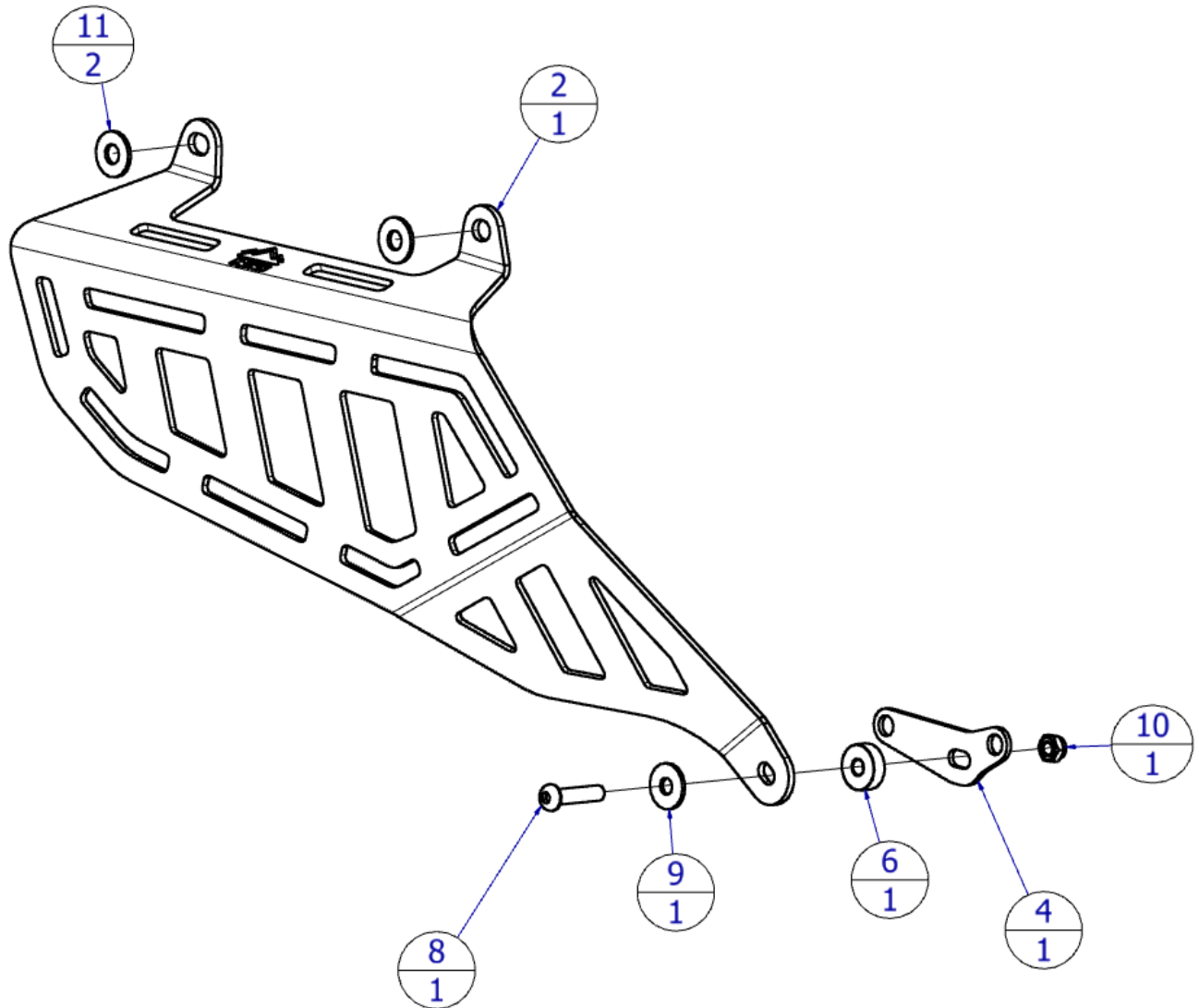


**LHS EXPLODED ASSEMBLY VIEW**





**RHS EXPLODED ASSEMBLY VIEW**





**FITTING PICTURES**



Picture 1



Picture 2



Picture 3



Picture 4



Picture 5



Picture 6



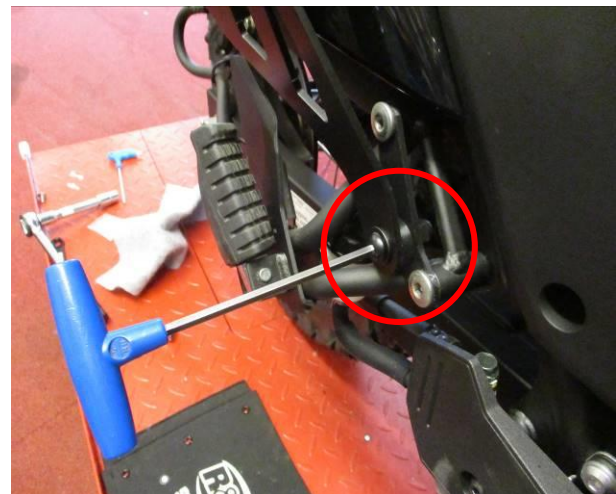
Picture 7



Picture 8



Picture 9



Picture 10



## FITTING INSTRUCTIONS

- It is recommended that you begin with the LHS and move onto the RHS after it is complete.
- Remove the bolts securing the pillion foot peg to the bike as shown in **Picture 1**.
- Referring to the **LHS EXPLODED ASSEMBLY VIEW**, secure the lower mounting bracket (**item 3**) as shown in **Picture 2** and tighten the bolts which were removed.
- Remove the 2 x bolts as shown in **Picture 3**.
- Referring to the **LHS EXPLODED ASSEMBLY VIEW**, secure the luggage side rail (**item 1**) making sure to re-use the OEM bolts removed but to use 1 x M10 washer (**item 11**) per bolt.
- Lastly, to secure the bottom of the luggage side rail to the bike, follow the **LHS EXPLODED ASSEMBLY VIEW**.
- To attach the RHS luggage side rail, please follow the previous steps whilst referring to the **RHS EXPLODED ASSEMBLY VIEW**.
- Picture 6, 7, 8, 9 and 10 also show the steps required for the RHS to aid installation.
- Fit your choice of soft luggage, securing to the racks using suitable straps if required.

**Before riding with luggage fitted, ensure that all luggage is fully secured and will not contact any part of the chain or exhaust silencer during use. Failure to do so will result in damage to the luggage and bike and may cause serious injury or death.**

ISSUE 2 - 28/07/2022 (AO)

### CONSUMER NOTICE

The catalogue description and any exhibition of samples are only broad indications of the Products and R&G may make design changes which do not diminish their performance or visual appeal and supplying them in such state shall conform to the order. The Buyer acknowledges no representation or warranty (other than as to title) has been given or will apply to the Products other than those in R&G's order or confirmation and the Buyer confirms it has chosen the Products as being of merchantable quality and suitable for its particular purposes. Where R&G fits the Products or undertakes other services it shall exercise reasonable skill and care and rectify any fault free of charge unless the workmanship has been disturbed. The Buyer is responsible for ensuring that the warranty on the motorcycle is not affected by the fitting of the Products. On return of any defective Products R&G shall at its option either supply a replacement or refund the purchase money but shall not be liable if the Products have been modified or used or maintained otherwise than in accordance with R&G's or manufacturer's instructions and good engineering practice or if the defect arises from accident or neglect. Other than identified above and subject to R&G not limiting its liability for causing death and personal injury, it shall not be liable for indirect or consequential loss and otherwise its liability shall be limited to the amounts paid by the Buyer for the Products or the fitting or service concerned. These terms do not affect the Buyer's statutory rights.

### R&G RACING RETURNS POLICY (NON-FAULTY GOODS)

Returns must be pre-authorized (if not pre-authorized the return will be rejected). Goods may only be returned direct to us if they were purchased direct from us (customer must prove if necessary). Otherwise to be returned to original vendor. Goods must be in re-sellable condition, in the opinion of R&G Racing. All returns are subject to a 25% restocking and handling fee (25% of the gross value exc. P&P – at the prevailing price at time of purchase). The customer must pay any and all carriage charges. No returns of discontinued products, unless within 14 days of purchase. This policy does not affect your statutory rights and does not refer to faulty goods.

R&G Racing

Unit 1, Shelley's Lane, East Worldham, Alton, Hampshire, GU34 3AQ

Tel: +44 (0)1420 89007 Fax: +44 (0)1420 87301 [www.rg-racing.com](http://www.rg-racing.com) Email: [info@rg-racing.com](mailto:info@rg-racing.com)



**NOTICE DE MONTAGE POUR LSR0006**  
**PORTE BAGAGE**  
**KAWASAKI KLR650 2022-**



**Ce kit contient les éléments illustrés et étiquetés sur la page.  
Certaines pièces peuvent être montrées uniquement pour la clarté des instructions.**

**Vérifiez que toutes les pièces soient présentes.**

**Veuillez lire toutes les instructions avant de continuer.**

**EN CAS DE DOUTE LORS DE L'INSTALLATION, CONSULTEZ L'UN DE NOS REVENDEURS  
OU FAITES INSTALLER PAR UN TECHNICIEN QUALIFIÉ.**

Veuillez noter que la façon dont le kit est emballé ne représente pas nécessairement le mode de montage sur la moto.

En cas d'utilisation de rondelles en caoutchouc pour maintenir les composants sur les boulons, ces rondelles en caoutchouc peuvent être jetées.

**DIGITAL COPIES OF THESE INSTRUCTIONS ARE AVAILABLE FROM**

**[WWW.RG-RACING.COM](http://WWW.RG-RACING.COM)**

R&G Racing

Unit 1, Shelley's Lane, East Worldham, Alton, Hampshire, GU34 3AQ

Tel: +44 (0)1420 89007 Fax: +44 (0)1420 87301 [www.rg-racing.com](http://www.rg-racing.com) Email: [info@rg-racing.com](mailto:info@rg-racing.com)





<b><u>OUTILS REQUIS</u></b>	<b><u>VALEURS DE SERRAGE</u></b>
<ul style="list-style-type: none"> <li>• CLÉ À MOLETTE 13mm</li> <li>• CLÉS ALLEN 5mm et 6mm</li> </ul>	M4 BOULON = 8Nm M5 BOULON = 12Nm M6 BOULON = 15Nm M8 BOULON = 20Nm M10 BOULON = 40Nm M12 BOULON = 40Nm

### **LÉGENDE**

<b>ARTICLE NO.</b>	<b>DESCRIPTION</b>	<b>QTÉ</b>
ARTICLE 1	SMW0205 RAIL PORTE BAGAGE CÔTÉ GAUCHE	1
ARTICLE 2	SMW0206 RAIL PORTE BAGAGE CÔTÉ DROIT	1
ARTICLE 3	SMW0210 SUPPORT DE FIXATION INFÉRIEUR GAUCHE	1
ARTICLE 4	SMW0211 SUPPORT DE FIXATION INFÉRIEUR DROIT	1
ARTICLE 5	S0220 ENTRETOISE DE FIXATION INFÉRIEURE GAUCHE	1
ARTICLE 6	S0686 ENTRETOISE DE FIXATION INFÉRIEURE DROIT	1
ARTICLE 7	M8 x 1.25 x 35mm BOULON	1
ARTICLE 8	M8 x 1.25 x 25mm BOULON	1
ARTICLE 9	M8 x 19mm RONDELLE NOIR	2
ARTICLE 10	M8 x 1.25 ÉCROU	2
ARTICLE 11	M10 x 25mm RONDELLE NOIR	4

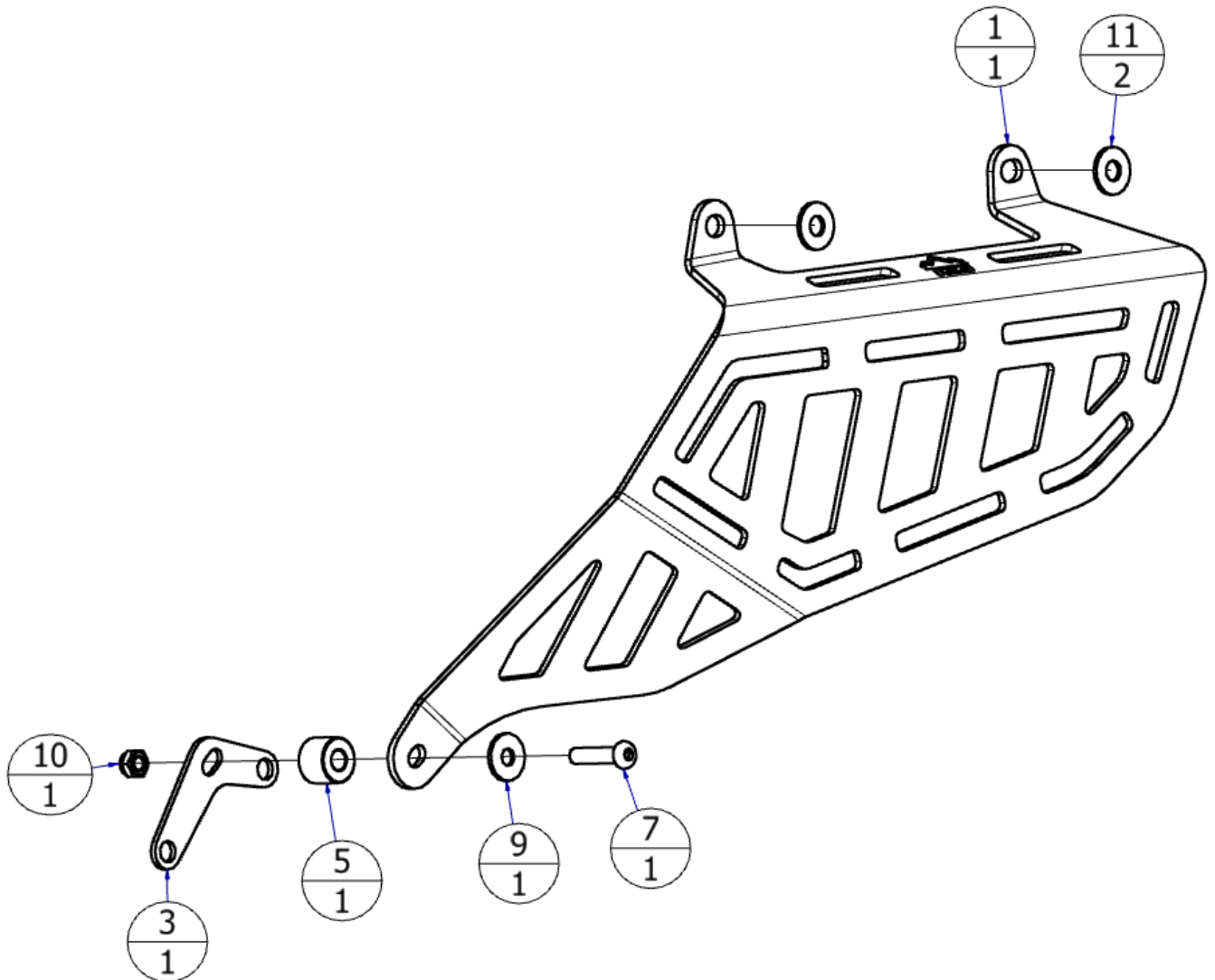
R&G Racing

Unit 1, Shelley's Lane, East Worldham, Alton, Hampshire, GU34 3AQ

Tel: +44 (0)1420 89007 Fax: +44 (0)1420 87301 [www.rg-racing.com](http://www.rg-racing.com) Email: [info@rg-racing.com](mailto:info@rg-racing.com)

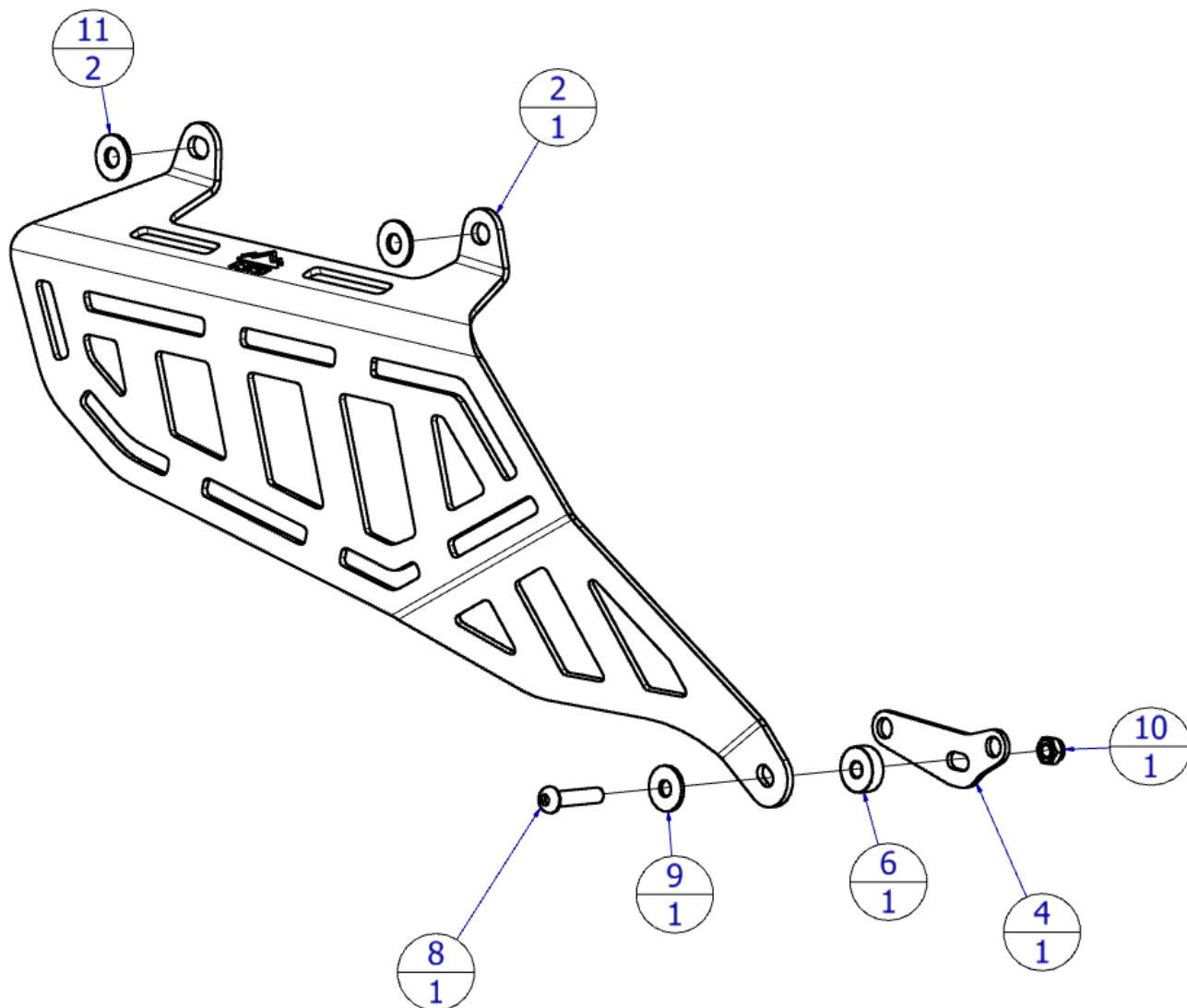


**SCHÉMA D'ENSEMBLE CÔTÉ GAUCHE**





**SCHÉMA D'ENSEMBLE CÔTÉ DROIT**





**PHOTOS DE MONTAGE**

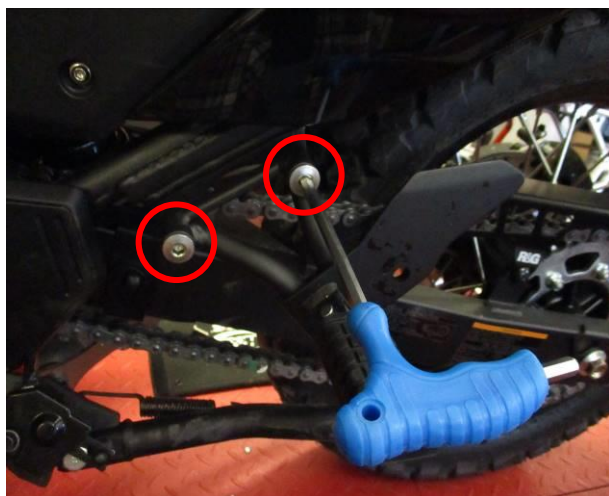


Photo 1



Photo 2



Photo 3



Photo 4



Photo 5

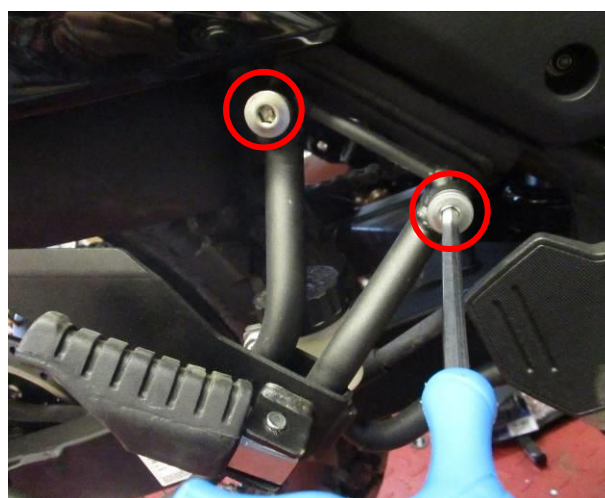


Photo 6



Photo 7



Photo 8



Photo 9

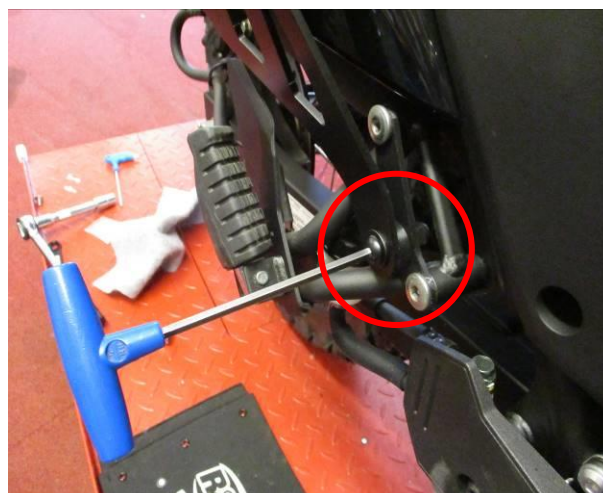


Photo 10

### **NOTICE DE MONTAGE**

- Il est recommandé de commencer par le côté gauche et de passer au côté droit une fois qu'il est terminé.
- Retirez les boulons fixant le repose-pied du passager à la moto comme indiqué sur la photo 1.
- En vous référant à la VUE DE L'ASSEMBLAGE CÔTÉ GAUCHE, fixez le support de montage inférieur (article 3) comme indiqué sur la photo 2 et serrez les boulons qui ont été retirés.
- Retirez les x2 boulons comme indiqué sur la Photo 3.
- En vous référant à la VUE DE L'ASSEMBLAGE CÔTÉ GAUCHE, fixez le rail latéral de bagage (article 1) en veillant à réutiliser les boulons d'origine retirés mais en utilisant x1 rondelle M10 (article 11) par boulon.

R&G Racing

Unit 1, Shelley's Lane, East Worldham, Alton, Hampshire, GU34 3AQ

Tel: +44 (0)1420 89007 Fax: +44 (0)1420 87301 [www.rg-racing.com](http://www.rg-racing.com) Email: [info@rg-racing.com](mailto:info@rg-racing.com)



- Enfin, pour fixer le bas du rail latéral du porte bagages, suivez la VUE DE MONTAGE CÔTÉ GAUCHE.
- Pour fixer le rail latéral de bagage CÔTÉ DROIT, veuillez suivre les étapes précédentes tout en vous référant à la VUE DE MONTAGE CÔTÉ DROIT.
- Les photos 6, 7, 8, 9 et 10 montrent également les étapes nécessaires au côté droit pour faciliter l'installation.
- Installez les bagages de votre choix, en les fixant aux porte-bagages à l'aide de sangles appropriées si nécessaire.

**Avant de rouler avec des bagages en place, assurez-vous que tous les bagages soient bien fixés et qu'ils n'entrent en contact avec aucune partie de la chaîne ou du silencieux d'échappement pendant l'utilisation. Le non-respect de cette consigne entraînera des dommages aux bagages et à la moto et peut entraîner des blessures graves, voire mortelles.**

ISSUE 2 - 28/07/2022 (AO)

#### CONSUMER NOTICE

The catalogue description and any exhibition of samples are only broad indications of the Products and R&G may make design changes which do not diminish their performance or visual appeal and supplying them in such state shall conform to the order. The Buyer acknowledges no representation or warranty (other than as to title) has been given or will apply to the Products other than those in R&G's order or confirmation and the Buyer confirms it has chosen the Products as being of merchantable quality and suitable for its particular purposes. Where R&G fits the Products or undertakes other services it shall exercise reasonable skill and care and rectify any fault free of charge unless the workmanship has been disturbed. The Buyer is responsible for ensuring that the warranty on the motorcycle is not affected by the fitting of the Products. On return of any defective Products R&G shall at its option either supply a replacement or refund the purchase money but shall not be liable if the Products have been modified or used or maintained otherwise than in accordance with R&G's or manufacturer's instructions and good engineering practice or if the defect arises from accident or neglect. Other than identified above and subject to R&G not limiting its liability for causing death and personal injury, it shall not be liable for indirect or consequential loss and otherwise its liability shall be limited to the amounts paid by the Buyer for the Products or the fitting or service concerned. These terms do not affect the Buyer's statutory rights.

#### R&G RACING RETURNS POLICY (NON-FAULTY GOODS)

Returns must be pre-authorized (if not pre-authorized the return will be rejected). Goods may only be returned direct to us if they were purchased direct from us (customer must prove if necessary). Otherwise to be returned to original vendor. Goods must be in re-sellable condition, in the opinion of R&G Racing. All returns are subject to a 25% restocking and handling fee (25% of the gross value exc. P&P - at the prevailing price at time of purchase). The customer must pay any and all carriage charges. No returns of discontinued products, unless within 14 days of purchase. This policy does not affect your statutory rights and does not refer to faulty goods.

R&G Racing

Unit 1, Shelley's Lane, East Worldham, Alton, Hampshire, GU34 3AQ

Tel: +44 (0)1420 89007 Fax: +44 (0)1420 87301 [www.rg-racing.com](http://www.rg-racing.com) Email: [info@rg-racing.com](mailto:info@rg-racing.com)



**MONTAGEANLEITUNG FÜR LSR0006**  
**GEPÄCK/SEITENTASCHEN-HALTERUNGEN**  
**KAWASAKI KLR650 2022-**



**ALLE KIT-TEILE SIND AUF DEN NACHFOLGENDEN SEITEN ABGEBILDET UND GEKENNZEICHNET.**

DIE ABGEBILDETEN TEILE DIENEN LEDIGLICH ZUR ERKLÄRUNG.

ÜBERPRÜFEN SIE ZUERST, DASS ALLE TEILE VORHANDEN SIND.

**LESEN SIE DIE MONTAGEANLEITUNG KOMPLETT DURCH, BEVOR SIE ANFANGEN.**

**WENN SIE BEI DER MONTAGE DIESES PRODUKTES UNSICHER SIND, BITTE EINEN UNSERER HÄNDLER KONTAKTIEREN ODER DAS KIT VON EINEM QUALIFIZIERTEN ZWEIRAD-MECHANIKER MONTIEREN LASSEN.**

DIE VERPACKUNG DER TEILE STELLT NICHT DIE REIHENFOLGE DER MONTAGE DAR.

HINWEIS FÜR KITS MIT PLASTIKUNTERLEGSCHLEIBEN AN DEN SCHRAUBEN –  
DIESE PLASTIK-UNTERLEGSCHLEIBEN WERDEN NICHT FÜR DEN EINBAU BENÖTIGT.

**EINE DIGITALE VERSION DIESER MONTAGEANLEITUNG KANN AUF FOLGENDER SEITE HERUNTERGELADEN WERDEN:**

**[WWW.RG-RACING.COM](http://WWW.RG-RACING.COM)**

R&G Racing

Unit 1, Shelley's Lane, East Worldham, Alton, Hampshire, GU34 3AQ

Tel: +44 (0)1420 89007 Fax: +44 (0)1420 87301 [www.rg-racing.com](http://www.rg-racing.com) Email: [info@rg-racing.com](mailto:info@rg-racing.com)



<b><u>SIE BENÖTIGEN FOLGENDES WERKZEUG</u></b>	<b><u>ALLGEM. ANZUGSDREHMOMENTE</u></b>
<ul style="list-style-type: none"> <li>• 13mm SCHRAUBENSCHLÜSSEL</li> <li>• 5mm und 6mm INBUSSCHLÜSSEL</li> </ul>	M4 SCHRAUBE = 8Nm M5 SCHRAUBE = 12Nm M6 SCHRAUBE = 15Nm M8 SCHRAUBE = 20Nm M10 SCHRAUBE = 40Nm M12 SCHRAUBE = 40Nm

### **LIEFERUMFANG**

<b>ARTIKEL NR.</b>	<b>BESCHREIBUNG</b>	<b>MENGE</b>
ARTIKEL 1	SMW0205 LINKE SEITE - SEITENTASCHEINTRÄGER	1
ARTIKEL 2	SMW0206 RECHTE SEITE - SEITENTASCHEINTRÄGER	1
ARTIKEL 3	SMW0210 LINKE SEITE - UNTERE MONTAGEHALTERUNG	1
ARTIKEL 4	SMW0211 RECHTE SEITE UNTERE MONTAGEHALTERUNG	1
ARTIKEL 5	S0220 LINKE SEITE - DISTANZHALTER FÜR DIE UNTERE MONTAGEHALTERUNG	1
ARTIKEL 6	S0686 RECHTE SEITE DISTANZHALTER FÜR DIE UNTERE MONTAGEHALTERUNG	1
ARTIKEL 7	M8 x 1.25 x 35mm SCHWARZE INBUSSCHRAUBE	1
ARTIKEL 8	M8 x 1.25 x 25mm SCHWARZE INBUSSCHRAUBE	1
ARTIKEL 9	M8 x 19mm OD SCHWARZE UNTERLEGSCHIEBE	2
ARTIKEL 10	M8 x 1.25 SELBSTSICHERNDE MUTTER	2
ARTIKEL 11	M10 x 25mm OD SCHWARZE UNTERLEGSCHIEBE	4

R&G Racing

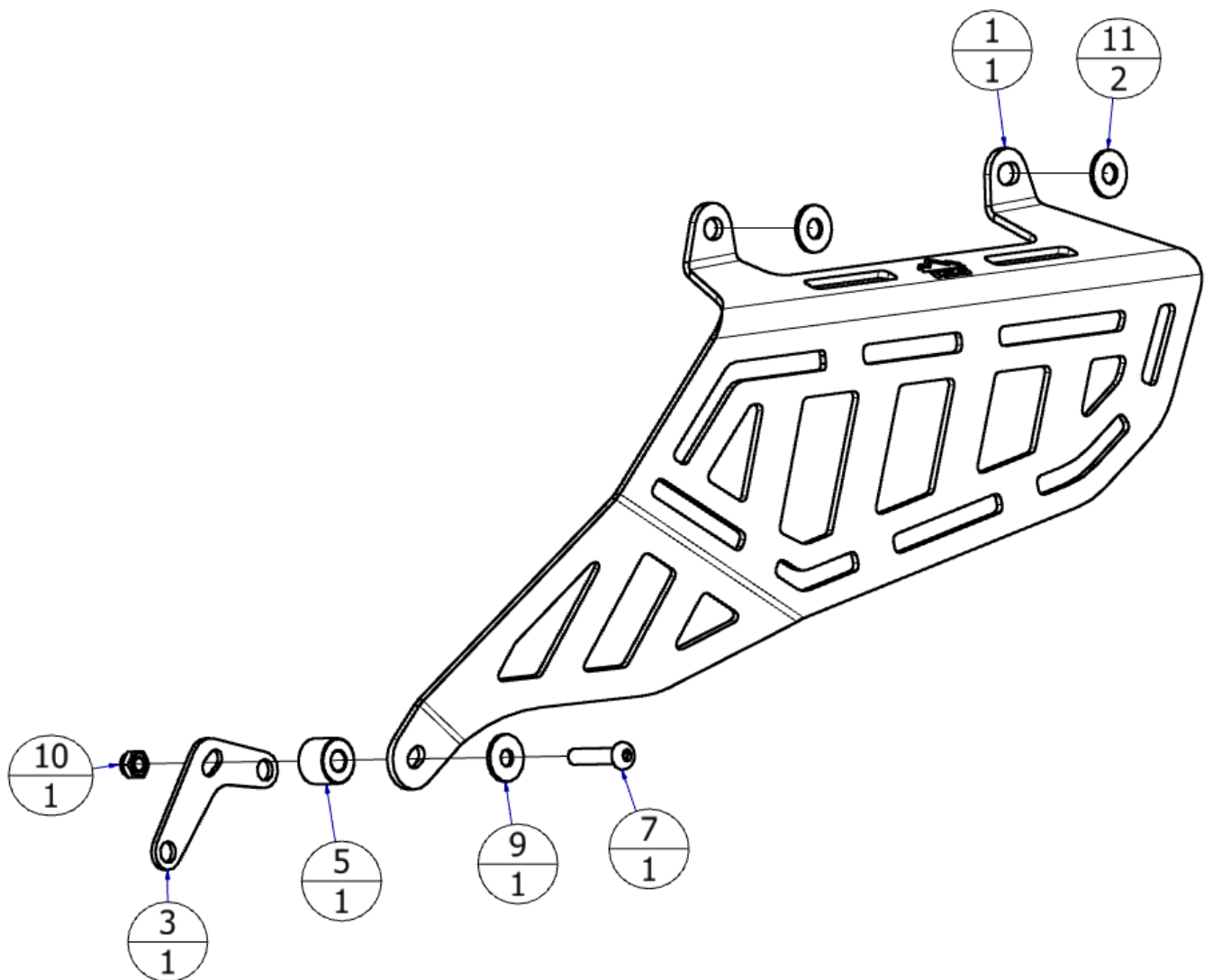
Unit 1, Shelley's Lane, East Worldham, Alton, Hampshire, GU34 3AQ

Tel: +44 (0)1420 89007 Fax: +44 (0)1420 87301 [www.rg-racing.com](http://www.rg-racing.com) Email: [info@rg-racing.com](mailto:info@rg-racing.com)



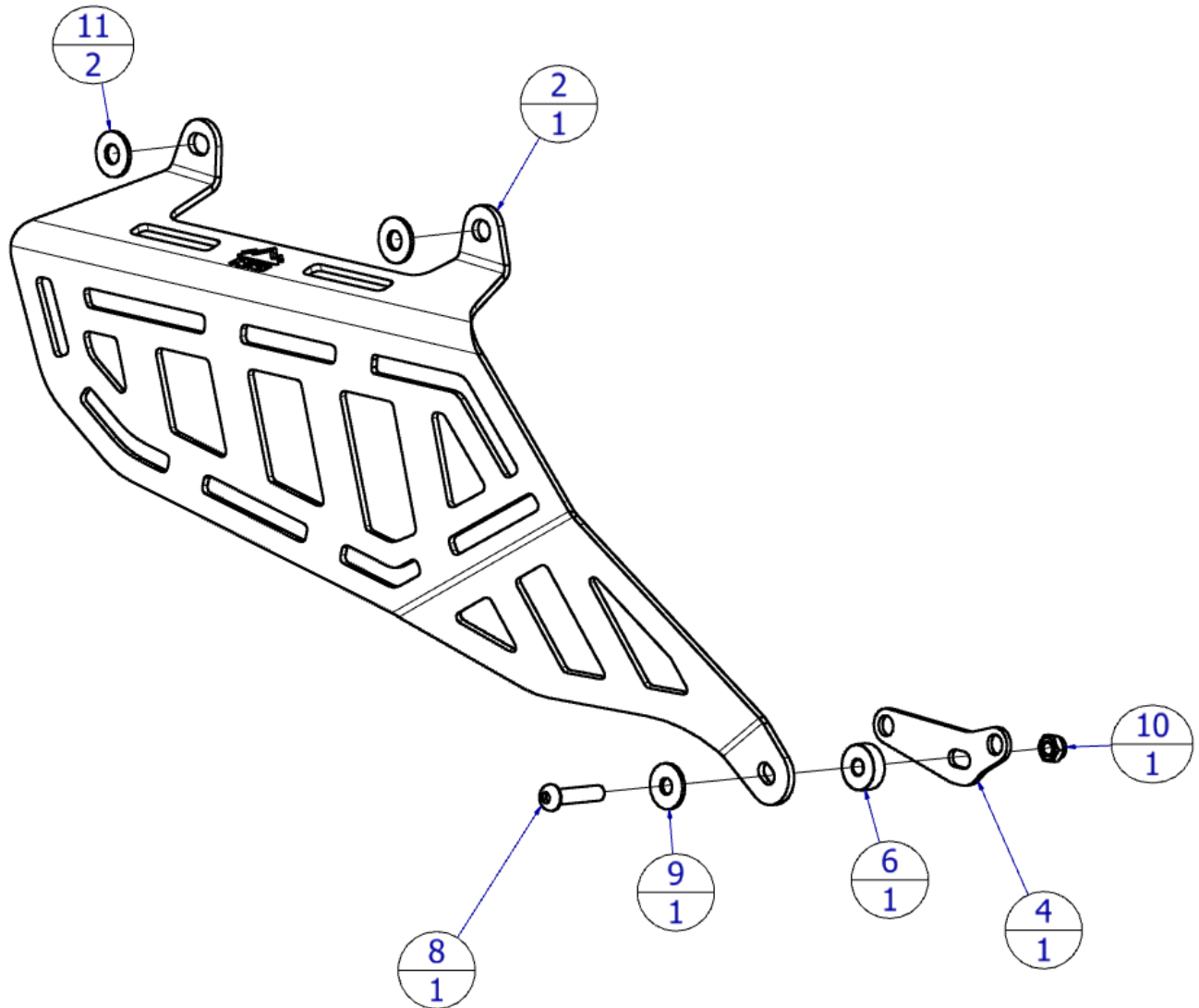


**LINKE SEITE – EXPLOSIONSZEICHNUNG ZUSAMMENBAU**





**RECHTE SEITE – EXPLOSIONSZEICHNUNG ZUSAMMENBAU**





**MONTAGE - BILDER**



Abbildung 1



Abbildung 2



Abbildung 3



Abbildung 4



Abbildung 5

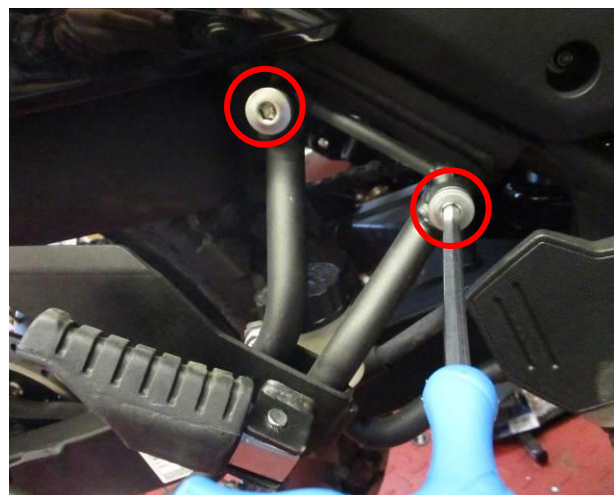


Abbildung 6



Abbildung 7



Abbildung 8



Abbildung 9

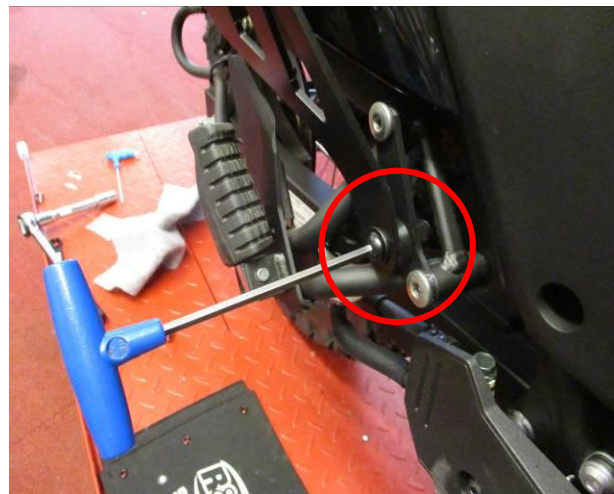


Abbildung 10



## MONTAGEANLEITUNG

- Es wird empfohlen, die Montage zuerst an der linken Seite des Motorrads komplett abzuschließen, bevor Sie mit der Montage an der rechten Seite beginnen.
- Entfernen Sie alle Schrauben, die den Fußrasten für den Beifahrer am Motorrad befestigen wie in **Abbildung 1** abgebildet.
- Entsprechend der Zeichnung **LINKE SEITE – ZUSAMMENBAU EXPLOSIONSZEICHNUNG**, die untere Montagehalterung (**Artikel 3**) befestigen wie in **Abbildung 2** abgebildet und die Schrauben festziehen, die zuvor entfernt wurden.
- Entfernen Sie die 2 Schrauben, die in **Abbildung 3** abgebildet sind.
- Entsprechend der Zeichnung **LINKE SEITE – ZUSAMMENBAU EXPLOSIONSZEICHNUNG**, die Halterung für die Seitentasche (**Artikel 1**) anbringen und mit den Originalschrauben befestigen, benutzen Sie jedoch x M10 Unterlegscheibe vom Kit (**Artikel 11**) an jeder Schraube.
- Danach die Halterung für die Seitentasche unten befestigen am Motorrad entsprechend der Zeichnung **LINKE SEITE – ZUSAMMENBAU EXPLOSIONSZEICHNUNG**.
- Um die Halterung an der rechten Seite zu montieren, führen Sie die oben beschriebenen Schritte nochmal aus, jedoch entsprechende der Zeichnung **RECHTE SEITE – ZUSAMMENBAU EXPLOSIONSZEICHNUNG**.
- Die Abbildungen 6, 7, 8, 9 und 10 zeigen auch die notwendigen Schritte für die rechten Seite, um Ihnen bei der Montage zu assistieren.
- Montieren Sie die Seitentaschen Ihrer Wahl – diese an den Halterungen befestigen und, falls erforderlich, mit geeigneten Gurten sichern.

**Bevor Sie mit montiertem Gepäck fahren, stellen Sie sicher, dass das Gepäck vollständig und ordnungsgemäß befestigt ist und während der Fahrt nicht mit anderen Teilen z.B. Kette oder Auspuff in Berührung kommen kann.**

**Die Nichtbeachtung dieses Hinweises wird zur Beschädigung des Gepäcks / Motorrads führen und kann zu schweren Körperverletzungen oder zum Tod führen**

AUSGABE 2 - 28/07/2022 (AO)

### CONSUMER NOTICE

The catalogue description and any exhibition of samples are only broad indications of the Products and R&G may make design changes which do not diminish their performance or visual appeal and supplying them in such state shall conform to the order. The Buyer acknowledges no representation or warranty (other than as to title) has been given or will apply to the Products other than those in R&G's order or confirmation and the Buyer confirms it has chosen the Products as being of merchantable quality and suitable for its particular purposes. Where R&G fits the Products or undertakes other services it shall exercise reasonable skill and care and rectify any fault free of charge unless the workmanship has been disturbed. The Buyer is responsible for ensuring that the warranty on the motorcycle is not affected by the fitting of the Products. On return of any defective Products R&G shall at its option either supply a replacement or refund the purchase money but shall not be liable if the Products have been modified or used or maintained otherwise than in accordance with R&G's or manufacturer's instructions and good engineering practice or if the defect arises from accident or neglect. Other than identified above and subject to R&G not limiting its liability for causing death and personal injury, it shall not be liable for indirect or consequential loss and otherwise its liability shall be limited to the amounts paid by the Buyer for the Products or the fitting or service concerned. These terms do not affect the Buyer's statutory rights.

R&G Racing

Unit 1, Shelley's Lane, East Worldham, Alton, Hampshire, GU34 3AQ

Tel: +44 (0)1420 89007 Fax: +44 (0)1420 87301 [www.rg-racing.com](http://www.rg-racing.com) Email: [info@rg-racing.com](mailto:info@rg-racing.com)

**R&G RACING RETURNS POLICY (NON-FAULTY GOODS)**

Returns must be pre-authorized (if not pre-authorized the return will be rejected). Goods may only be returned direct to us if they were purchased direct from us (customer must prove if necessary). Otherwise to be returned to original vendor. Goods must be in re-sellable condition, in the opinion of R&G Racing. All returns are subject to a 25% restocking and handling fee (25% of the gross value exc. P&P – at the prevailing price at time of purchase). The customer must pay any and all carriage charges. No returns of discontinued products, unless within 14 days of purchase. This policy does not affect your statutory rights and does not refer to faulty goods.

R&G Racing

Unit 1, Shelley's Lane, East Worldham, Alton, Hampshire, GU34 3AQ

Tel: +44 (0)1420 89007 Fax: +44 (0)1420 87301 [www.rg-racing.com](http://www.rg-racing.com) Email: [info@rg-racing.com](mailto:info@rg-racing.com)