



FITTING INSTRUCTIONS FOR LP0324BK LICENCE PLATE BRACKET
DUCATI HYPERMOTARD 950 2021-



THIS KIT CONTAINS THE ITEMS PICTURED AND LABELLED BELOW.
DO NOT PROCEED UNTIL YOU ARE SURE ALL PARTS ARE PRESENT.

Please note that the way the kit is packed does not necessarily represent the way of mounting to the bike.

THE PARTS SHOWN MAY BE REPRESENTATIVE ONLY (FOR CLARITY OF INSTRUCTIONS ONLY).

Please note that in cases where kits are packed with rubber washers holding the components onto the bolt – *the rubber washers should be thrown away!*

Digital copies of these instructions are available to download from www.rg-racing.com

TOOLS REQUIRED

- Set of metric Allen keys to include 4 & 6mm
 - Socket set to include 6mm & 8mm
 - T20 Torx tool
 - 12mm A/F Spanner
 - Small flat bladed screwdriver
 - Small amount of adhesive
 - Loctite or similar

MAXIMUM TORQUE SETTINGS

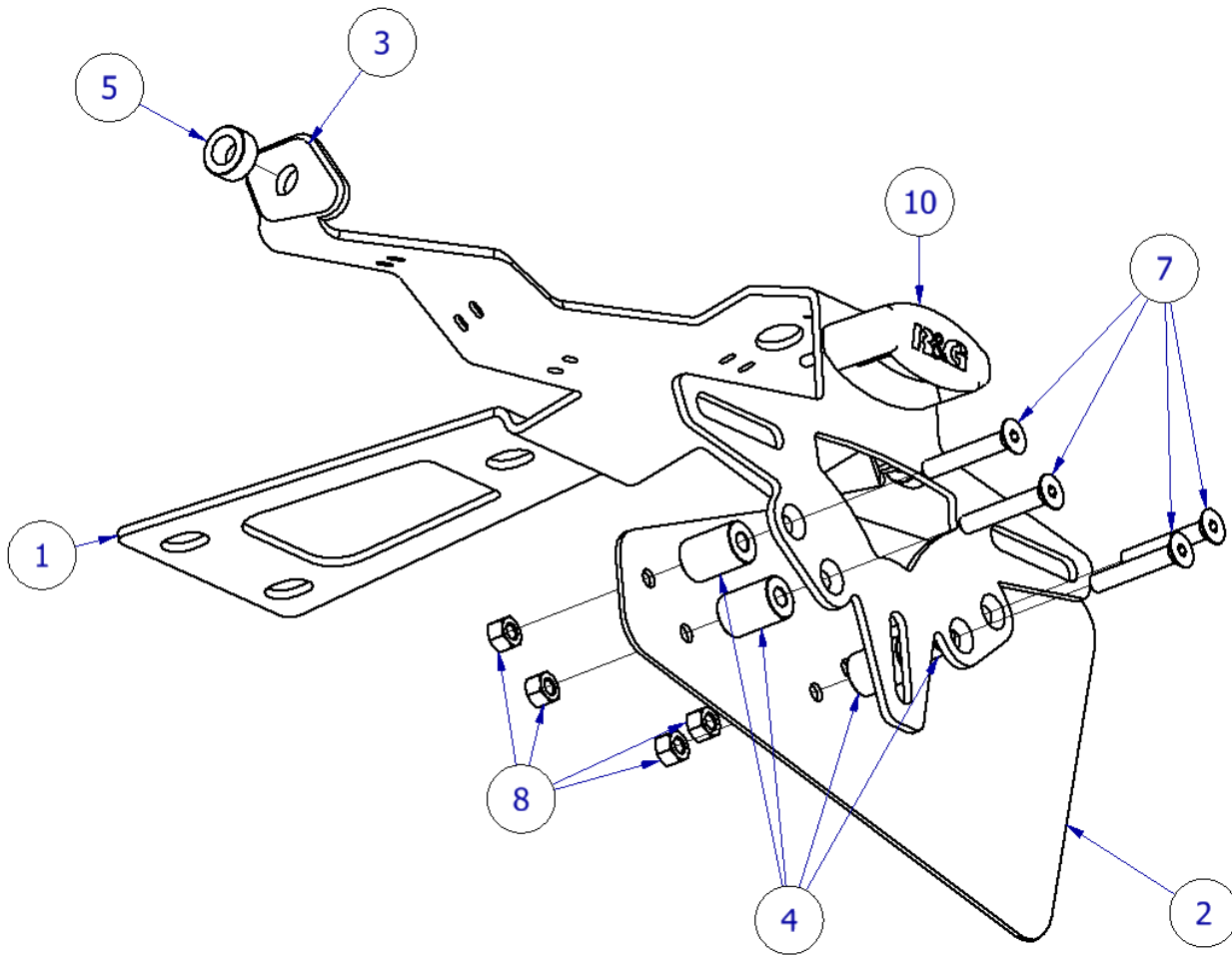
- M4 BOLT = 8Nm
- M5 BOLT = 12Nm
- M6 BOLT = 15Nm
- M8 BOLT = 20Nm
- M10 BOLT = 40Nm

R&G

Unit 1, Shelley's Lane, East Worldham, Alton, Hampshire, GU34 3AQ
 Tel: +44 (0)1420 89007 Fax: +44 (0)1420 87301 www.rg-racing.com Email: info@rg-racing.com

**LEGEND**

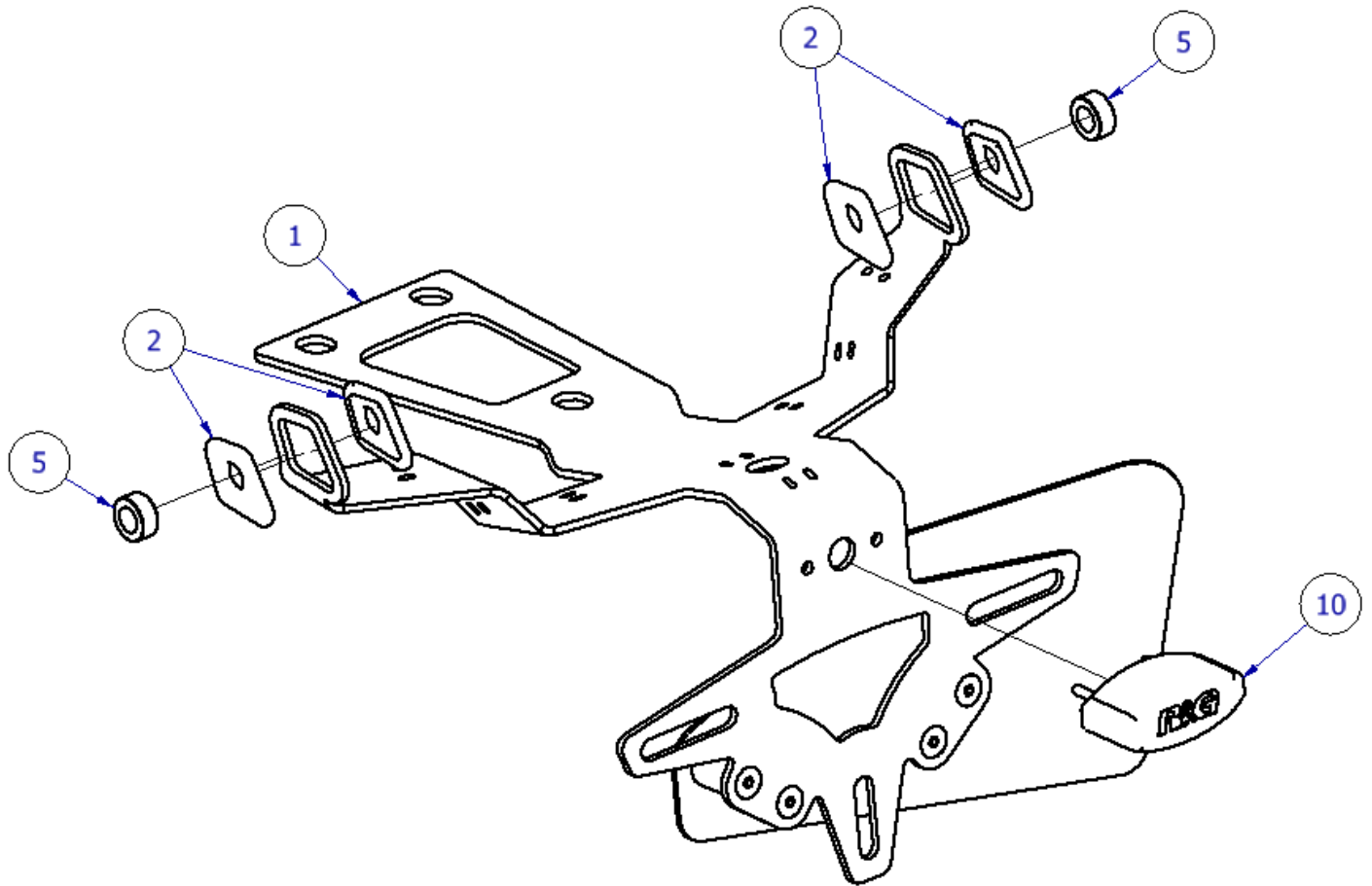
- Item 1 = TB0323 PART 1 - LICENCE PLATE BRACKET
- Item 2 = TB0274 PART 2 - HEAT SHIELD (SINGLE SIDED)
- Item 3 = I0033 MINI INDICATOR ADAPTOR (4)
- Item 4 = S1189 SS HEAT SHIELD SPACERS (4)
- Item 5 = S1190 MINI INDICATOR SPACER (2)
- Item 6 = S0253 6MM EXHAUST SPACERS (2)
- Item 7 = M5x30mm COUNTERSUNK BOLTS (4)
- Item 8 = M5 LOCKING NUTS (4)
- Item 9 = 2.5mm CABLE TIES x 100mm LONG (8)
- Item 10 = LA0002 No PLATE LIGHT ASSEMBLY (INCLUDES SHROUD)
- Item 11 = CON15 MINI INDICATOR ADAPTORS (2)
- Item 12 = CON14 TAIL-LIGHT CONNECTOR
- Item 13 = 200mm LENGTH OF HEAT-SHRINK (3)
- Item 14 = MINI INDICATOR WIRING COVERS (2)
- Item 15 = SELF-ADHESIVE CABLE CLIPS (4)
- Item 16 = REFLECTOR

**ASSEMBLY DIAGRAM 1**

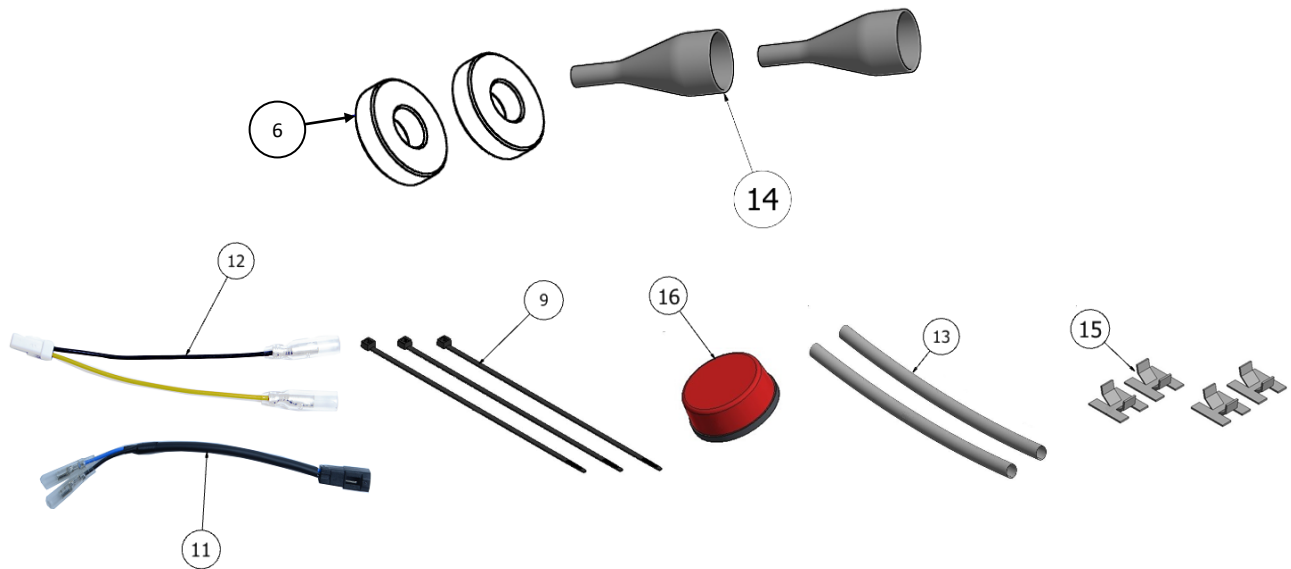
R&G

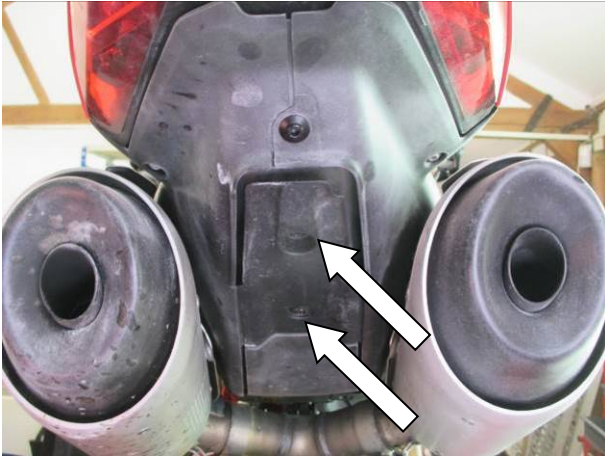
Unit 1, Shelley's Lane, East Worldham, Alton, Hampshire, GU34 3AQ

Tel: +44 (0)1420 89007 Fax: +44 (0)1420 87301 www.rg-racing.com Email: info@rg-racing.com

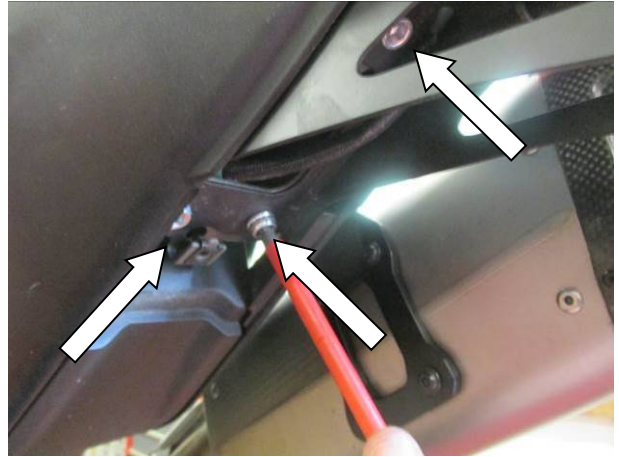


ASSEMBLY DIAGRAM 2





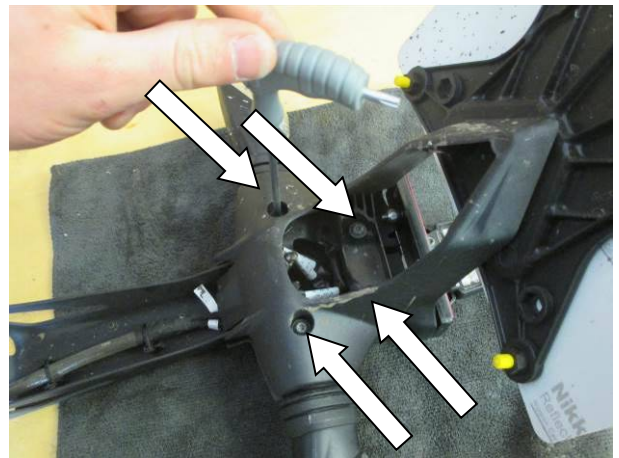
Picture 1



Picture 2



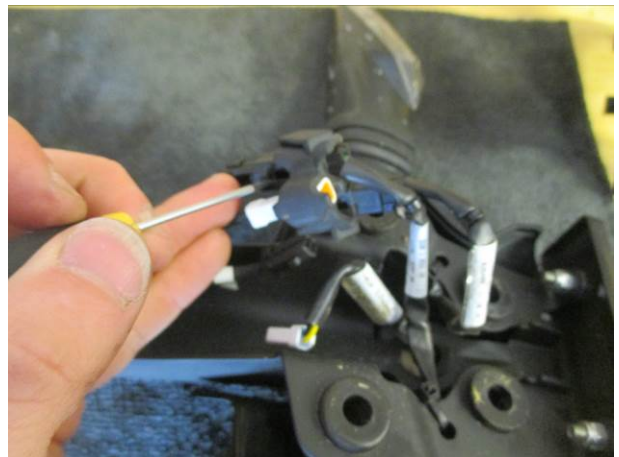
Picture 3



Picture 4



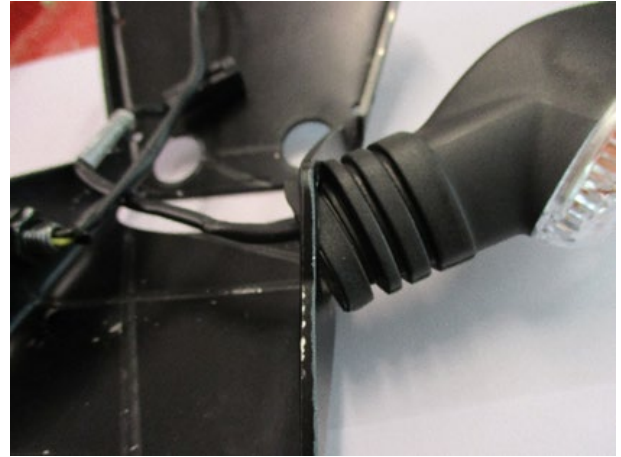
Picture 5



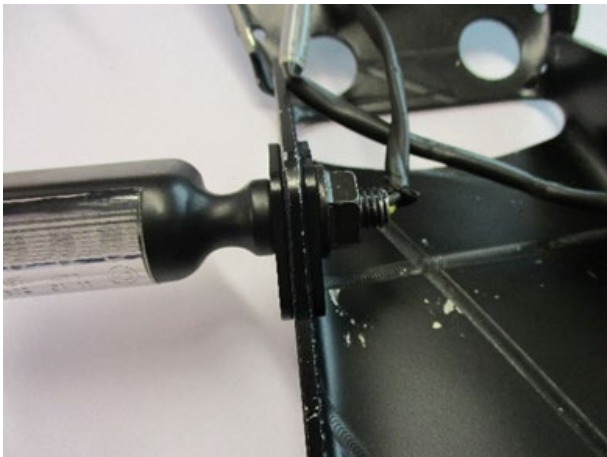
Picture 6



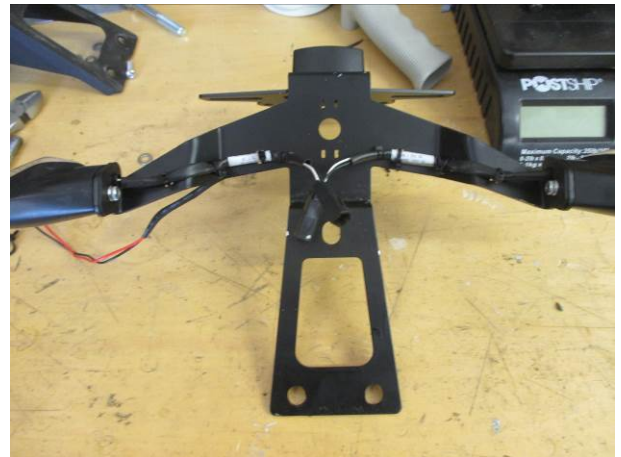
Picture 7



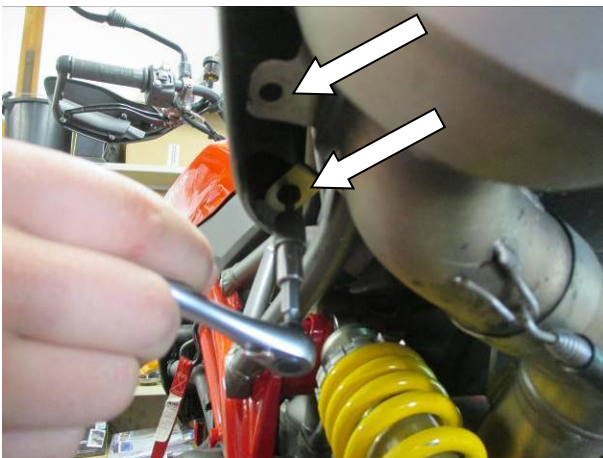
Picture 8



Picture 9



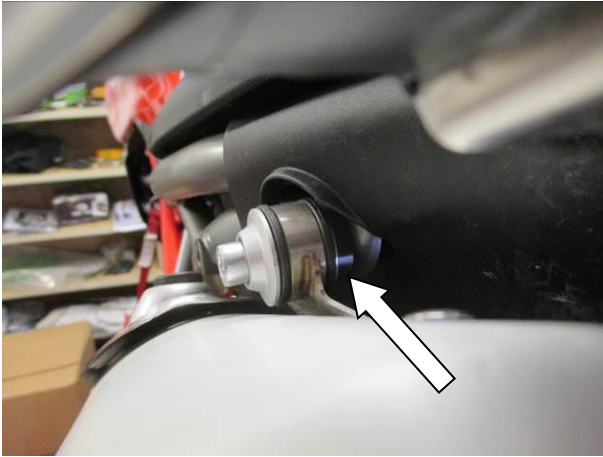
Picture 10



Picture 11



Picture 12



Picture 13



Picture 14



Picture 15



Picture 16



FITTING INSTRUCTIONS

OEM Tail Unit Removal:

- Begin by removing the panel under the tail unit by removing the two bolts arrowed in **picture 1** using a 4mm allen key.
- Carefully remove the 3 allen head bolts holding the OEM licence plate holder to the bike shown in **picture 2** using a 6mm allen key, ensuring to support the unit when removing these bolts to prevent the unit dropping.
- As you remove the licence plate holder from the tail unit, you will need to disconnect the wiring as shown in **picture 3** using a small flat bladed screwdriver, the licence plate holder should now be free from the bike.
- On the underside of the OEM licence plate holder, remove the 4 torx screws shown in **picture 4** and split the indicator housing by removing the lower plastic piece and sliding the upper piece off the rubber mounts in the metal tail piece shown in **Picture 5**, leaving the indicators loose.
- Remove the rubber indicator connector holder and disconnect the 3 connectors using a small flat bladed screwdriver as in **Picture 6** and remove both indicators completely.
- Disconnect the OEM licence plate light as before and cut the cable ties that secure the tail piece wiring loom to the metal bracket and remove from the bike as shown in **picture 7**. Put this to one side for use later.

R&G Tail Tidy Assembly:

- To assemble the tail tidy, the heat shield (item 2) should be attached to the main tail bracket (item 1), referring to **Assembly diagram 1** on page 2.
- Place the 4 x 30mm countersunk bolts (item 7) into the corresponding holes on the main tail bracket (item 1) and slide one heat shield spacer (item 4) over each bolt.
- Locate the heat shield (item 2) over the exposed threads and sandwich the spacers using the 4 x locking nuts (item 8) to secure the heat shield. Ensure that the locking nuts are fully engaged with 1-2 threads protruding through the nuts.
- Next, take one length of provided heat shrink (item 13) and place this over the wires of the R&G number plate light (Item 10). Heat this with a heat gun or similar until the wires are neatly wrapped.
- The number plate light shroud provided with the assembly should be affixed to the light unit using a small amount of superglue to hold in place, this is to correctly direct the light downwards to prevent dazzling other road users.
- Affix this to the main tail tidy bracket as shown in **Assembly diagram 2** on page 3 using the M4 washers and nuts provided with the assembly. Tighten the nuts using a 6mm socket.
- Attach the CON14 tail light connector (item 12) to the bullet connectors of the licence plate illuminator.

If using OEM Indicators:

If you are re-using the OEM Ducati indicators these will need to be removed from the OEM licence plate unit following the steps here, if using Mini indicators, skip this section.

- Cut the cable ties securing the wiring and remove the indicator (please note which side it came off).
- Repeat the above to remove the other indicator (please note the relevant sides).

R&G

Unit 1, Shelley's Lane, East Worldham, Alton, Hampshire, GU34 3AQ

Tel: +44 (0)1420 89007 Fax: +44 (0)1420 87301 www.rg-racing.com Email: info@rg-racing.com



- Gently squeeze the indicator stem and push through the shape aperture in the new licence plate bracket (item 1) as shown in **picture 8** (a small amount of silicon grease or liquid detergent helps in this process)
- Fit the indicators to the new licence plate bracket (item 1) as they were mounted originally (ensure they are fitted on the correct sides).

If using R&G Mini Indicators:

- To fit the mini indicators, first use one piece of heat shrink (item 13) over each pair of wires and heat this with a heat gun or similar until the wires are neatly wrapped.
- Fit one Mini indicator spacer (item 5) over wire and thread of each mini indicator.
- Thread one indicator fastening plate (item 3) over each pair of indicator wires with the wires passing through the larger hole.
- Thread each indicator assembly through each indicator mount on the tail tidy bracket (part 1).
- To neaten the wiring, slide one indicator wiring cover (item 14) over the bullet connectors for each indicator and slide up until the flanged nut is covered. *A small amount of lubricant or soap may help when pushing the wires through the indicator wiring cover.*
- Use the two remaining indicator fastening plates (item 3) to sandwich the indicator on the main tail bracket as shown in **Assembly diagram 2** on page 3 and **picture 9**. It is recommended to use a small amount of Loctite when fastening the flanged indicator nut to help keep the assembly tight.
- After fastening both indicators, use cable ties (item 9) to secure the exposed wires to the top surface of the tail bracket as shown in **picture 10**.
- Fit one Mini CON15 indicator adaptor (item 11) to each mini indicator via bullet connectors to the corresponding wire colours.

Exhaust Spacer fitting:

In order to help with heat dissipation from the exhaust, you are provided with 2 x 6mm exhaust spacers (item 6) these MUST be fitted to the bike to eliminate the risk of damage to the licence plate or tail bracket.

- Remove the rear side panels from both sides of the bike by removing the two hex bolts arrowed in **picture 11**.
- Lift the panel away from the bike as in **picture 12** to reveal the exhaust bracket mounts.
- One side at a time, remove the allen head bolt securing the exhaust to the frame of the motorcycle and place the 6mm spacer between the exhaust and mount as arrowed in **picture 13**. You may need to swivel the exhaust cans to achieve this, ensuring the exhaust exit is directed further outwards from the centre than before.
- Replace the exhaust mounting bolt before repeating on the other side.
- At this stage, start the bike and check for any exhaust leaks and reposition as appropriate.
- Re-fit the tail unit side panels in their original position.

Fitting Tail Tidy to bike:

- With both indicators and licence plate illuminator attached to the tail tidy, you should now connect the OEM tail unit loom removed earlier to the indicator and licence plate light connectors, ensuring that the indicators are connected to the corresponding side.
- Route the licence plate illuminator wires from the underside up through the hole in the centre of the tail tidy.

R&G

Unit 1, Shelley's Lane, East Worldham, Alton, Hampshire, GU34 3AQ

Tel: +44 (0)1420 89007 Fax: +44 (0)1420 87301 www.rg-racing.com Email: info@rg-racing.com



- Neatly arrange the wires depending on your indicator choice using the self-adhesive cable clips (item 15) keeping as much of the wiring as possible on the top surface of the tail tidy as this will make them less visible when fixed to the bike.
- Before fitting the Tail Tidy, connect the tail tidy wiring loom to the motorcycle wiring loom as shown in **picture 14** and test all lights function correctly. If illumination fails, swap the bullet connectors around.
- With all lights working, offer the complete tail tidy assembly up to the rear of the bike and use the 3 x OEM cap head bolts removed earlier and loosely fix this in place as shown in **Picture 15**.
- Position the tail tidy as near to the rear of the bike as possible using the slotted mounting holes and tighten the 3 cap head bolts to the correct torque.
- Carefully wrap any extra wire and place through the tail tidy opening and into the open recess in the underside of the motorcycle tail unit.
- Re-fit the cover panel on the underside of the tail unit using the two bolts removed earlier, ensuring the wires pass through the gap in the RHS of the panel as shown in **picture 16**.
- Mount the licence plate (it may require drilling) to the rear of the bracket in a central position, ensuring that it does not overhang the edges of the heat shield.
- **IMPORTANT: IF FITTING A FULL-SIZE LICENCE PLATE AND PLACING IT FAR DOWN ON THE LICENCE PLATE HANGER, THERE IS A SMALL CHANCE OF THE LICENCE PLATE HITTING THE BACK WHEEL UNDER HEAVY LOAD AND OVER LARGE BUMPS IN THE ROAD. IT IS YOUR RESPONSIBILITY TO CHECK FOR THIS POSSIBILITY AND TAKE AVOIDING ACTION. FAILURE TO CHECK THIS COULD RESULT IN SERIOUS INJURY.**
- Depending on local laws, attach enclosed reflector (item 16) in an appropriate location.
- Retest the licence plate illuminator and all lights before riding.

ISSUE 1 06/08/21 (AO)

CONSUMER NOTICE

The catalogue description and any exhibition of samples are only broad indications of the Products and R&G may make design changes which do not diminish their performance or visual appeal and supplying them in such state shall conform to the order. The Buyer acknowledges no representation or warranty (other than as to title) has been given or will apply to the Products other than those in R&G's order or confirmation and the Buyer confirms it has chosen the Products as being of merchantable quality and suitable for its particular purposes. Where R&G fits the Products or undertakes other services it shall exercise reasonable skill and care and rectify any fault free of charge unless the workmanship has been disturbed. The Buyer is responsible for ensuring that the warranty on the motorcycle is not affected by the fitting of the Products. On return of any defective Products R&G shall at its option either supply a replacement or refund the purchase money but shall not be liable if the Products have been modified or used or maintained otherwise than in accordance with R&G's or manufacturer's instructions and good engineering practice or if the defect arises from accident or neglect. Other than identified above and subject to R&G not limiting its liability for causing death and personal injury, it shall not be liable for indirect or consequential loss and otherwise its liability shall be limited to the amounts paid by the Buyer for the Products or the fitting or service concerned. These terms do not affect the Buyer's statutory rights.

R&G RETURNS POLICY (NON-FAULTY GOODS)

Returns must be pre-authorized (if not pre-authorized the return will be rejected). Goods may only be returned direct to us if they were purchased direct from us (customer must prove if necessary). Otherwise to be returned to original vendor. Goods must be in re-sellable condition, in the opinion of R&G. All returns are subject to a 25% restocking and handling fee (25% of the gross value exc. P&P – at the prevailing price at time of purchase). The customer must pay any and all carriage charges. No returns of discontinued products, unless within 14 days of purchase. This policy does not affect your statutory rights and does not refer to faulty goods.

R&G

Unit 1, Shelley's Lane, East Worldham, Alton, Hampshire, GU34 3AQ

Tel: +44 (0)1420 89007 Fax: +44 (0)1420 87301 www.rg-racing.com Email: info@rg-racing.com



**NOTICE DE MONTAGE POUR LP0324BK SUPPORT DE PLAQUE
DUCATI HYPERMOTARD 950 2021-**



CE KIT CONTIENT LES ARTICLES ILLUSTRÉS ET ÉTIQUETES SUR LA PAGE.

CERTAINES PARTIES PEUVENT ÊTRE PRÉSENTES UNIQUEMENT POUR LA CLARTÉ DES INSTRUCTIONS.

NE PAS PROCÉDER AU MONTAGE TANT QUE VOUS N'ÊTES PAS SÛR QUE TOUTES LES PIÈCES SOIENT PRÉSENTES.

VEUILLEZ LIRE TOUTES LES INSTRUCTIONS AVANT DE CONTINUER.

**EN CAS DE DOUTE LORS DU MONTAGE DE NOS PRODUITS, CONSULTEZ UN DE NOS
REVENDEURS OU FAITES APPEL À UN TECHNICIEN QUALIFIÉ.**

VEUILLEZ NOTER QUE LA FAÇON DONT LE KIT EST EMBALLÉ NE REPRÉSENTE PAS NECESSAIREMENT LA
MANIÈRE DE LE MONTER SUR LA MOTO.

SI DES RONDELLES EN CAOUTCHOUC SONT UTILISÉES POUR MAINTENIR LES COMPOSANTS SUR LES
BOULONS, ELLES PEUVENT ÊTRE JETÉES.

NOTICE DISPONIBLE AU TÉLÉCHARGEMENT SUR :
WWW.RG-RACING.COM



OUTILS REQUIS

- Clés Allen 4 & 6mm
- Clé à cliquet + douilles 6mm & 8mm
 - Clé Torx T20
- Clé à molette 12mm
 - Tournevis plat
 - Un peu d'adhésif
- Colle Loctite ou similaire

VALEURS DE SERRAGE

M4 BOULON = 8Nm
M5 BOULON = 12Nm
M6 BOULON = 15Nm
M8 BOULON = 20Nm
M10 BOULON = 40Nm
M12 BOULON = 40Nm

R&G



LÉGENDE

- Article 1 = TB0323 PARTIE 1 - SUPPORT DE PLAQUE
- Article 2 = TB0274 PARTIE 2 - HEAT SHIELD (SINGLE SIDED)
- Article 3 = I0033 ADAPTATEUR DE MINI CLIGNOTANT (4)
- Article 4 = S1189 SS ENTRETOISES DE PARE CHALEUR (4)
- Article 5 = S1190 ENTRETOISES DE MINI CLIGNOTANTS (2)
- Article 6 = S0253 6MM ENTRETOISES D'ÉCHAPPEMENT (2)
- Article 7 = M5x30mm BOULONS (4)
- Article 8 = M5 ÉCROUS DE BLOCAGE (4)
- Article 9 = 2.5mm COLLIERS DE SERRAGE x 100mm DE LONG (8)
- Article 10 = LA0002 No ASSEMBLAGE FEU DE PLAQUE (PROTECTION INCLUSE)
- Article 11 = CON15 ADAPTATEURS DE MINI CLIGNOTANTS (2)
- Article 12 = CON14 CONNECTEUR DE FEU DE PLAQUE
- Article 13 = 200mm LONGUEUR DE MANCHON THERMO RÉTRACTABLE (3)
- Article 14 = CACHES FILS DE MINI CLIGNOTANTS (2)
- Article 15 = CLIPS CÂBLE AUTOCOLLANTS (4)
- Article 16 = REFLECTEUR

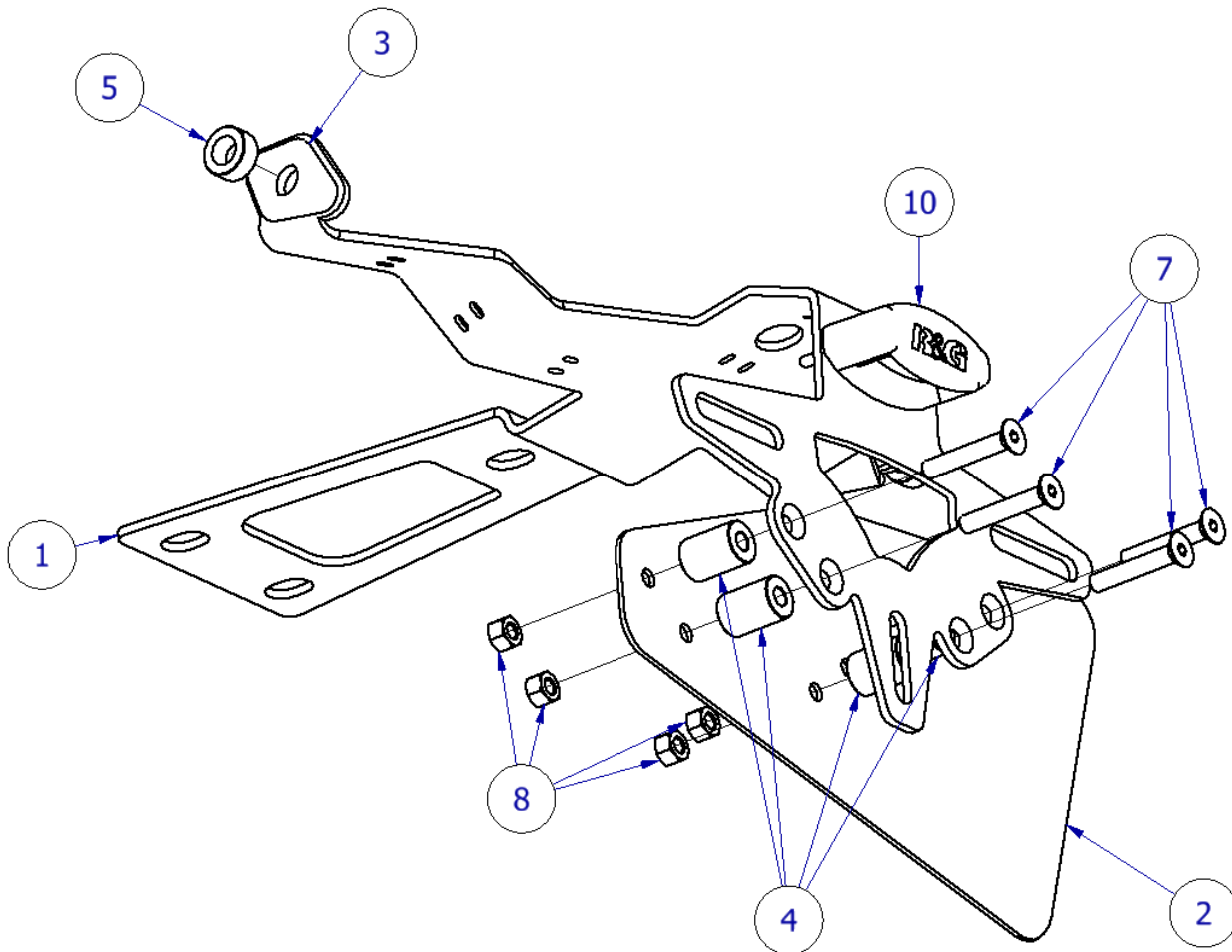


SCHÉMA D'ENSEMBLE 1

R&G

Unit 1, Shelley's Lane, East Worldham, Alton, Hampshire, GU34 3AQ

Tel: +44 (0)1420 89007 Fax: +44 (0)1420 87301 www.rg-racing.com Email: info@rg-racing.com

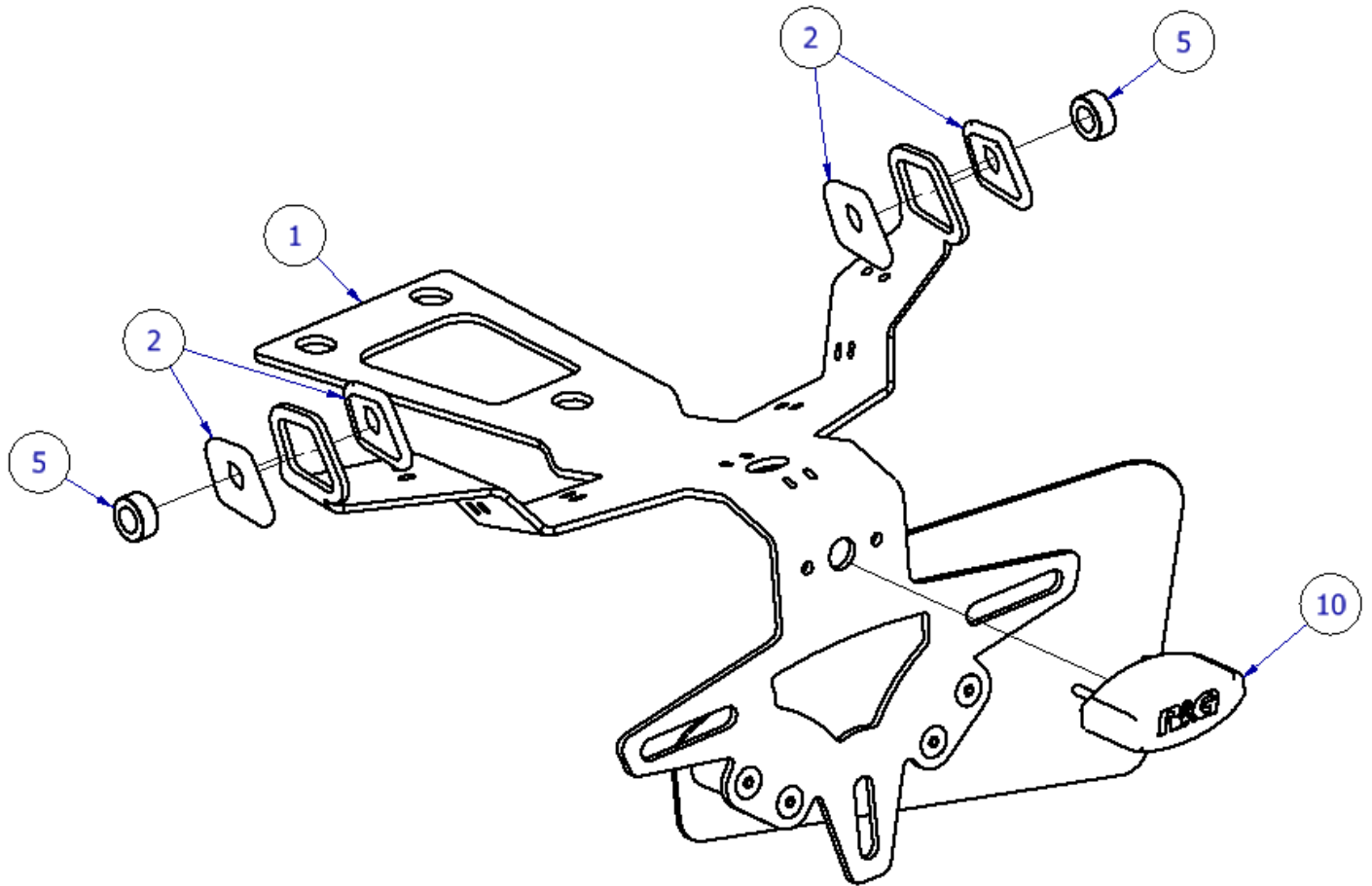
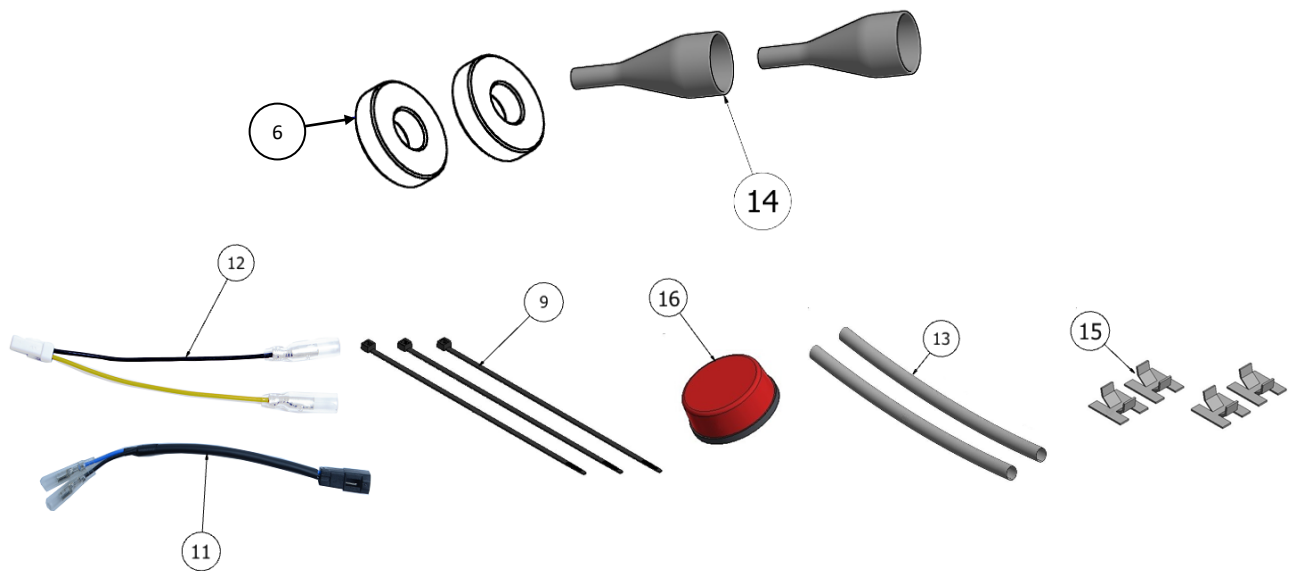


SCHÉMA D'ENSEMBLE 2



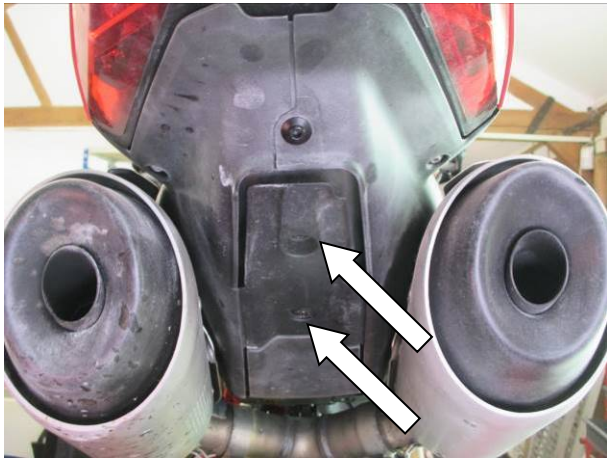


Photo 1

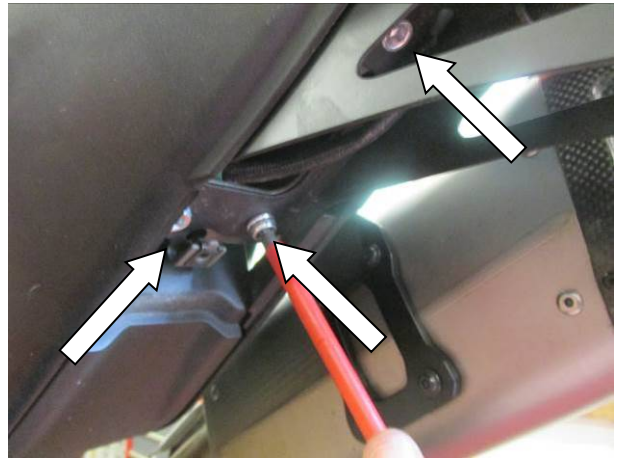


Photo 2



Photo 3

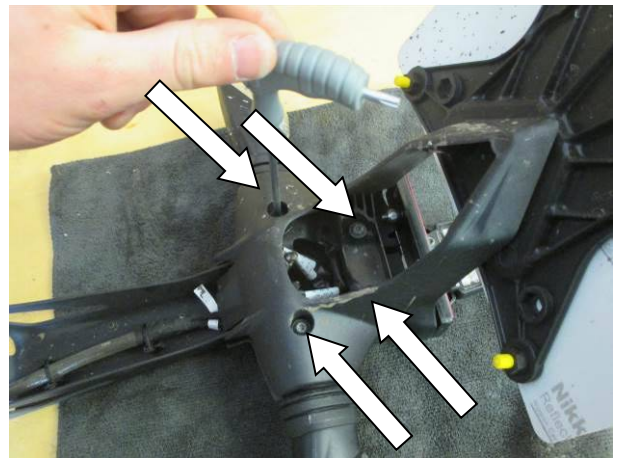


Photo 4



Photo 5

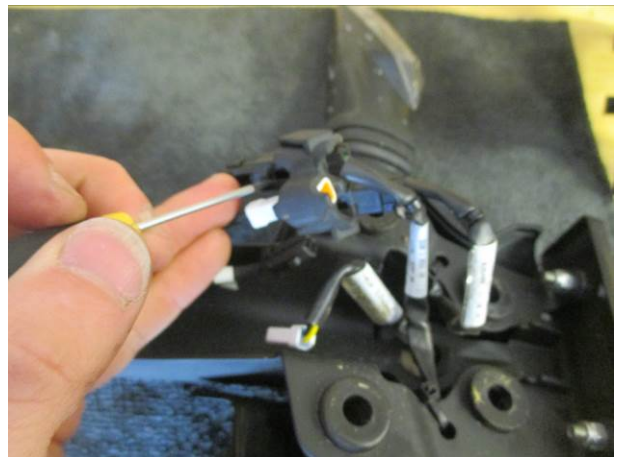


Photo 6



Photo 7

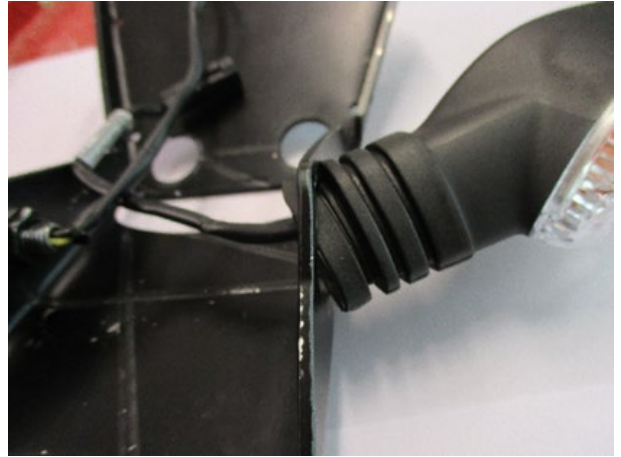


Photo 8

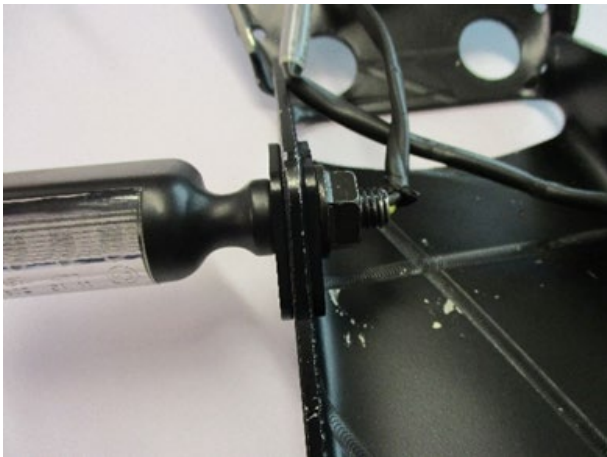


Photo 9

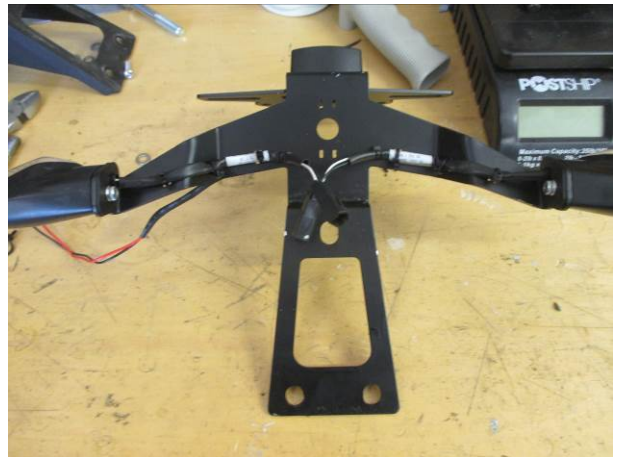


Photo 10

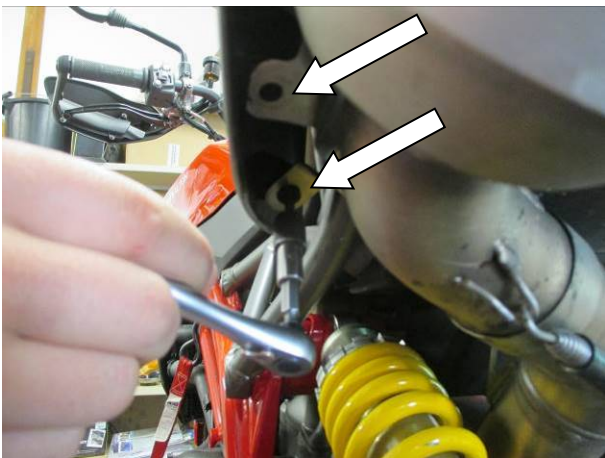


Photo 11



Photo 12

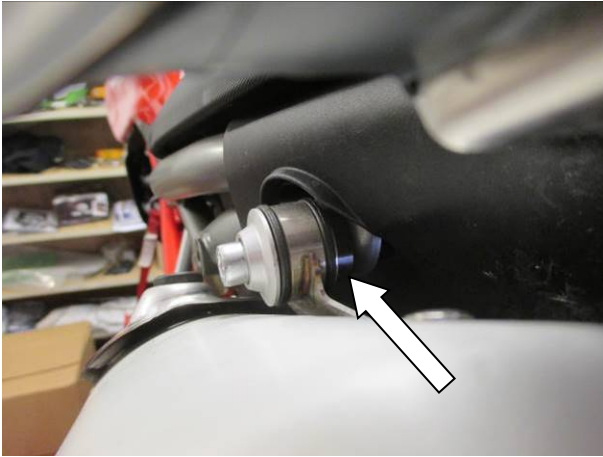


Photo 13



Photo 14



Photo 15



Photo 16



NOTICE DE MONTAGE

Retirer l'unité d'origine :

- Commencez par retirer le panneau sous l'empennage en retirant les deux boulons fléchés sur la photo 1 à l'aide d'une clé Allen de 4 mm.
- Retirez délicatement les 3 boulons à tête allen retenant le support de plaque d'immatriculation d'origine de la moto illustré sur la photo 2 à l'aide d'une clé allen de 6 mm, en veillant à soutenir l'unité lors du retrait de ces boulons pour éviter que l'unité ne tombe.
- Lorsque vous retirez le support de plaque d'immatriculation de l'unité arrière, vous devrez déconnecter le câblage comme indiqué sur la photo 3 à l'aide d'un petit tournevis à lame plate, le support de plaque d'immatriculation devrait maintenant être dégagé de la moto.
- Sur la face inférieure du support de plaque d'immatriculation d'origine, retirez les 4 vis torx illustrées sur la photo 4 et séparez le boîtier de clignotant en retirant la pièce en plastique inférieure et en faisant glisser la pièce supérieure des supports en caoutchouc dans la pièce arrière en métal illustrée sur la photo 5, en laissant les clignotants lâches.
- Retirer le support caoutchouc du connecteur des clignotants et déconnecter les 3 connecteurs à l'aide d'un petit tournevis plat comme sur la Photo 6 et retirer complètement les deux clignotants.
- Déconnectez l'éclairage de la plaque d'immatriculation d'origine comme précédemment et coupez les colliers de serrage qui fixent le faisceau de câbles de la queue au support métallique et retirez-le de la moto comme indiqué sur la photo 7. Mettez-le de côté pour une utilisation ultérieure.

Assemblage support de plaque R&G :

- Pour assembler le support arrière, l'écran thermique (article 2) doit être fixé au support de queue principal (article 1), en se référant au schéma d'assemblage 1 à la page 2.
- Placez les 4 boulons à tête fraisée de 30 mm (article 7) dans les trous correspondants sur le support arrière principal (article 1) et faites glisser une entretoise d'écran thermique (article 4) sur chaque boulon.
- Placez l'écran thermique (article 2) sur les filetages exposés et intercalez les entretoises à l'aide des 4 écrous de blocage (article 8) pour fixer l'écran thermique. Assurez-vous que les écrous de blocage sont complètement engagés avec 1-2 filets dépassant des écrous.
- Ensuite, prenez une longueur de gaine thermorétractable fournie (article 13) et placez-la sur les fils de l'éclairage de plaque R&G (article 10). Chauffez-le avec un pistolet thermique ou similaire jusqu'à ce que les fils soient soigneusement enroulés.
- La protection de plaque d'immatriculation fournie avec l'ensemble doit être fixé sur le bloc feu à l'aide d'une petite quantité de superglue pour le maintenir en place, ceci afin d'orienter correctement le feu vers le bas pour éviter d'éblouir les autres usagers de la route.
- Fixez-le au support principal du support comme indiqué sur le schéma d'assemblage 2 à la page 3 à l'aide des rondelles et des écrous M4 fournis avec l'assemblage. Serrez les écrous à l'aide d'une douille de 6 mm.
- Fixez le connecteur du feu arrière CON14 (article 12) aux connecteurs du feu de plaque d'immatriculation.

Si vous utilisez les clignotants d'origine :

Si vous réutilisez les clignotants d'origine Ducati, ceux-ci devront être retirés de l'unité de plaque d'immatriculation d'origine en suivant les étapes ici, si vous utilisez des mini clignotants, ignorez cette section.

R&G

Unit 1, Shelley's Lane, East Worldham, Alton, Hampshire, GU34 3AQ

Tel: +44 (0)1420 89007 Fax: +44 (0)1420 87301 www.rg-racing.com Email: info@rg-racing.com



- Coupez les serre-câbles fixant le câblage et retirez le clignotant (veuillez noter de quel côté il s'est détaché).
- Répétez ce qui précède pour retirer l'autre clignotant (veuillez noter les côtés concernés).
- Pressez doucement la tige de clignotant et poussez à travers l'ouverture dans le nouveau support de plaque d'immatriculation (article 1) comme indiqué sur la photo 8 (une petite quantité de graisse de silicone ou de détergent liquide aide dans ce processus).
- Monter les clignotants sur le nouveau support de plaque d'immatriculation (article 1) comme ils ont été montés à l'origine (veiller à ce qu'ils soient montés du bon côté).

Si vous utilisez les mini-clignotants R&G:

- Pour installer les mini clignotants, utilisez d'abord un morceau de thermorétractable (article 13) sur chaque paire de fils et chauffez-le avec un pistolet thermique ou similaire jusqu'à ce que les fils soient soigneusement enroulés.
- Placer une entretoise de mini clignotant (article 5) sur le fil et le filetage de chaque mini clignotant.
- Enfiler une plaque de fixation de clignotant (article 3) sur chaque paire de fils de clignotants avec les fils passant par le plus grand trou.
- Enfiler chaque ensemble de clignotant à travers chaque support de clignotant sur le support de rangement arrière (partie 1).
- Pour ranger le câblage, faites glisser un couvercle de câblage de clignotant (article 14) sur les connecteurs pour chaque clignotant et faites glisser vers le haut jusqu'à ce que l'écrou à bride soit couvert. Une petite quantité de lubrifiant ou de savon peut aider à pousser les fils à travers le couvercle de câblage de clignotant.
- Utiliser les deux plaques de fixation de clignotant restantes (article 3) pour prendre en sandwich le clignotant sur le support de queue principal comme indiqué sur le schéma de montage 2 à la page 3 et photo 9. Il est recommandé d'utiliser une petite quantité de Loctite lors de la fixation de l'écrou de clignotant à bride pour aider à garder l'assemblage serré.
- Après avoir fixé les deux clignotants, utilisez des colliers de serrage (article 9) pour fixer les fils exposés à la surface supérieure du support de queue comme indiqué sur la photo 10.
- Montez un adaptateur de mini clignotant CON15 (article 11) sur chaque mini clignotant via des connecteurs aux couleurs de fil correspondantes.

Montage de l'entretoise d'échappement :

Afin d'aider à la dissipation de la chaleur de l'échappement, vous disposez de 2 entretoises d'échappement de 6 mm (article 6) qui DOIVENT être installées sur la moto pour éliminer le risque d'endommager la plaque d'immatriculation ou le support arrière.

- Retirez les panneaux latéraux arrière des deux côtés de la moto en enlevant les deux boulons hexagonaux fléchés sur la photo 11.
- Soulevez le panneau loin de la moto comme sur la photo 12 pour révéler les supports d'échappement.
- Un côté à la fois, retirez le boulon fixant l'échappement au cadre de la moto et placez l'entretoise de 6 mm entre l'échappement et le support comme indiqué sur la photo 13. Vous devrez peut-être faire pivoter les pots d'échappement pour y parvenir, en vous assurant la sortie d'échappement soit dirigée plus loin du centre qu'auparavant.
- Remplacez le boulon de montage de l'échappement avant de répéter de l'autre côté.
- À ce stade, démarrez la moto et vérifiez s'il y a des fuites d'échappement puis repositionnez-le comme il convient.

R&G

Unit 1, Shelley's Lane, East Worldham, Alton, Hampshire, GU34 3AQ

Tel: +44 (0)1420 89007 Fax: +44 (0)1420 87301 www.rg-racing.com Email: info@rg-racing.com



- Remonter les panneaux latéraux de carénage dans leur position d'origine.

Montage du support de plaque sur la moto:

- Avec les deux clignotants et le feu de plaque d'immatriculation attachés au support arrière, vous devez maintenant connecter le faisceau de l'unité arrière d'origine retiré plus tôt aux connecteurs des clignotants et du feu de la plaque d'immatriculation, en vous assurant que les clignotants soient connectés du côté correspondant.
- Acheminez les fils de l'éclairage de la plaque d'immatriculation du dessous vers le haut à travers le trou au centre du support arrière.
- Disposez soigneusement les fils en fonction de votre choix de clignotant à l'aide des colliers de serrage autocollants (article 15) en gardant le plus possible le câblage sur la surface supérieure de la queue bien rangée car cela les rendra moins visibles une fois fixés à la moto.
- Avant d'installer le support de plaque, connectez le faisceau de câbles du support de plaque au faisceau de câbles de la moto comme indiqué sur la photo 14 et testez le bon fonctionnement de tous les feux. Si l'éclairage échoue, échangez les connecteurs.
- Avec toutes les feux en fonctionnement, offrez l'ensemble complet du support à l'arrière de la moto puis utilisez les 3 boulons à tête cylindrique d'origine retirés plus tôt et fixez-le sans serrer comme indiqué sur la photo 15.
- Positionnez le support de la moto aussi près de l'arrière de la moto que possible à l'aide des trous de montage fendus et serrez les 3 boulons à tête cylindrique au couple correct.
- Enroulez soigneusement tout fil supplémentaire et placez-le à travers l'ouverture au dessous du support de la moto.
- Remontez le panneau de couverture sur la face inférieure du support à l'aide des deux boulons retirés précédemment, en vous assurant que les fils passent à travers l'espace du côté droit du panneau comme indiqué sur la photo 16.
- Montez la plaque d'immatriculation (elle peut nécessiter un perçage) à l'arrière du support en position centrale, en veillant à ce qu'elle ne dépasse pas les bords du pare chaleur.
- **IMPORTANT: SI VOUS INSTALLEZ UNE PLAQUE D'IMMATRICULATION DE GRANDE TAILLE ET LA PLACEZ LOIN VERS LE BAS SUR LE SUPPORT DE PLAQUE D'IMMATRICULATION, IL Y A UNE FAIBLE CHANCE QUE LA PLAQUE D'IMMATRICULATION FRAPPE LA ROUE ARRIÈRE SOUS L'EFFET D'UNE CHARGE LOURDE ET SUR DE GRANDES BOSSES SUR LA ROUTE. IL EST DE VOTRE RESPONSABILITÉ DE VÉRIFIER CETTE POSSIBILITÉ ET DE PRENDRE DES MESURES POUR L'ÉVITER. NE PAS VÉRIFIER CECI POURRAIT ENTRAÎNER DES BLESSURES GRAVES.**
- Selon les lois locales, fixez le réflecteur inclus (article 16) dans un endroit approprié.
- Testez à nouveau l'éclairage de plaque d'immatriculation et tous les feux avant de rouler.

ISSUE 1 06/08/21 (AO)

CONSUMER NOTICE

The catalogue description and any exhibition of samples are only broad indications of the Products and R&G may make design changes which do not diminish their performance or visual appeal and supplying them in such state shall conform to the order. The Buyer acknowledges no representation or warranty (other than as to title) has been given or will apply to the Products other than those in R&G's order or confirmation and the Buyer confirms it has chosen the Products as being of merchantable quality and suitable for its particular purposes. Where R&G fits the Products or undertakes other services it shall exercise reasonable skill and care and rectify any fault free of charge unless the workmanship has been disturbed. The Buyer is responsible for ensuring that the warranty on the motorcycle is not affected by the fitting of the Products. On return of any defective Products R&G shall at its option either supply a replacement or refund the purchase money but shall not be liable if the Products have been modified or used or maintained otherwise than in accordance with R&G's or manufacturer's instructions and good engineering practice or if

R&G

Unit 1, Shelley's Lane, East Worldham, Alton, Hampshire, GU34 3AQ

Tel: +44 (0)1420 89007 Fax: +44 (0)1420 87301 www.rg-racing.com Email: info@rg-racing.com



the defect arises from accident or neglect. Other than identified above and subject to R&G not limiting its liability for causing death and personal injury, it shall not be liable for indirect or consequential loss and otherwise its liability shall be limited to the amounts paid by the Buyer for the Products or the fitting or service concerned. These terms do not affect the Buyer's statutory rights.

R&G RETURNS POLICY (NON-FAULTY GOODS)

Returns must be pre-authorized (if not pre-authorized the return will be rejected). Goods may only be returned direct to us if they were purchased direct from us (customer must prove if necessary). Otherwise to be returned to original vendor. Goods must be in re-sellable condition, in the opinion of R&G. All returns are subject to a 25% restocking and handling fee (25% of the gross value exc. P&P – at the prevailing price at time of purchase). The customer must pay any and all carriage charges. No returns of discontinued products, unless within 14 days of purchase. This policy does not affect your statutory rights and does not refer to faulty goods.

R&G

Unit 1, Shelley's Lane, East Worldham, Alton, Hampshire, GU34 3AQ

Tel: +44 (0)1420 89007 Fax: +44 (0)1420 87301 www.rg-racing.com Email: info@rg-racing.com



**MONTAGEANLEITUNG FÜR LP0324BK KENNZEICHENHALTER
DUCATI HYPERMOTARD 950 2021-**



ALLE KIT-TEILE SIND UNTEN ABGEBILDET UND GEKENNZEICHNET. BEVOR SIE MIT DER MONTAGE BEGINNEN, ÜBERPRÜFEN SIE, DASS ALLE TEILE VORHANDEN SIND.

Hinweis: Die Verpackung der Teile stellt nicht die Reihenfolge der Montage dar.

DIE UNTEN ABGEBILDETEN TEILE DIENEN LEDIGLICH ZUR ERKLÄRUNG

Hinweis für Kits mit Plastikunterlegscheiben an den Schrauben – *Diese Plastikunterlegscheiben werden nicht für den Einbau benötigt!*

Eine digitale Version dieser Montageanleitung kann auf folgender Seite heruntergeladen werden. www.rg-racing.com

SIE BENÖTIGEN FOLGENDES WERKZEUG

- Satz Inbusschlüssel inkl. 4 & 6mm
- Satz Steckschlüssel inkl. 6mm & 8mm
 - T20 Torx-Schlüssel
 - 12mm Schraubenschlüssel
- kl. Flachklingen-Schraubendreher
 - etwas Sekundenkleber
 - Loctite oder Ähnliches

MAX. ANZUGSDREHMOMENT

- M4 SCHRAUBE = 8Nm
- M5 SCHRAUBE = 12Nm
- M6 SCHRAUBE = 15Nm
- M8 SCHRAUBE = 20Nm
- M10 SCHRAUBE = 40Nm

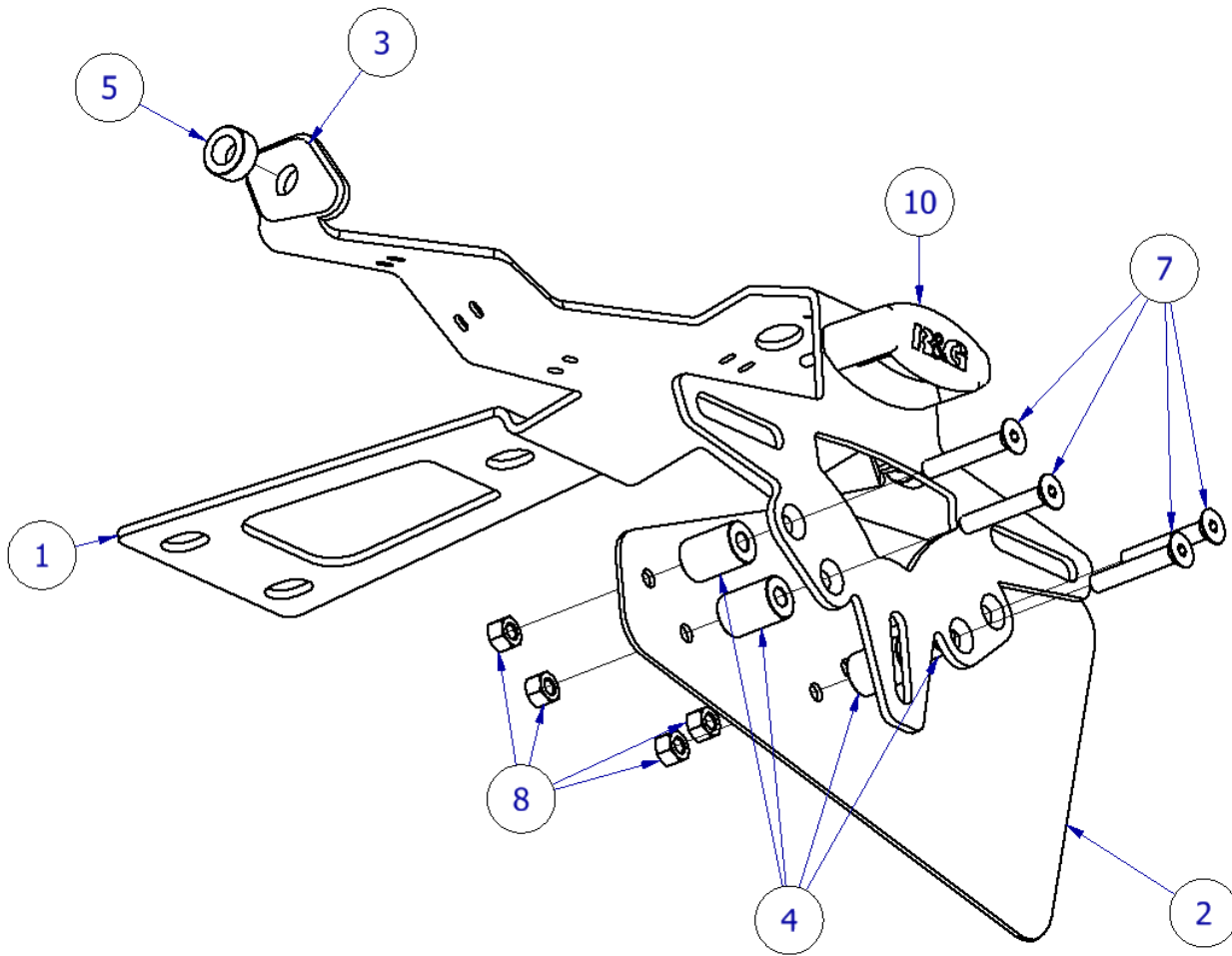
R&G

Unit 1, Shelley's Lane, East Worldham, Alton, Hampshire, GU34 3AQ
Tel: +44 (0)1420 89007 Fax: +44 (0)1420 87301 www.rg-racing.com Email: info@rg-racing.com



LIEFERUMFANG

- Artikel 1 = TB0323 TEIL 1 - KENNZEICHENHALTER
- Artikel 2 = TB0274 TEIL 2 - HITZESCHUTZ (EINSEITIG)
- Artikel 3 = I0033 MINIBLINKER ADAPTER (4)
- Artikel 4 = S1189 HITZESCHUTZ DISTANZHALTER (4)
- Artikel 5 = S1190 MINIBLINKER DISTANZHALTER (2)
- Artikel 6 = S0253 6MM DISTANZHALTER AUSPUFF (2)
- Artikel 7 = M5x30mm SENKSCHRAUBE (4)
- Artikel 8 = M5 BEFESTIGUNGSMUTTER (4)
- Artikel 9 = 2.5mm KABELBINDER x 100mm LÄNGE (8)
- Artikel 10 = LA0002 KENNZEICHENBELEUCHTUNG (INKL. ABDECKUNG)
- Artikel 11 = CON15 ADAPTER MINIBLINKER (2)
- Artikel 12 = CON14 VERBINDUNG KENNZEICHENBELEUCHTUNG
- Artikel 13 = 200mm SCHRUMPFSCHLAUCH (3)
- Artikel 14 = KABEL-ABDECKUNG MINIBLINKER (2)
- Artikel 15 = SELBSTKLEBENDER KABELCLIP (4)
- Artikel 16 = RÜCKSTAHLER

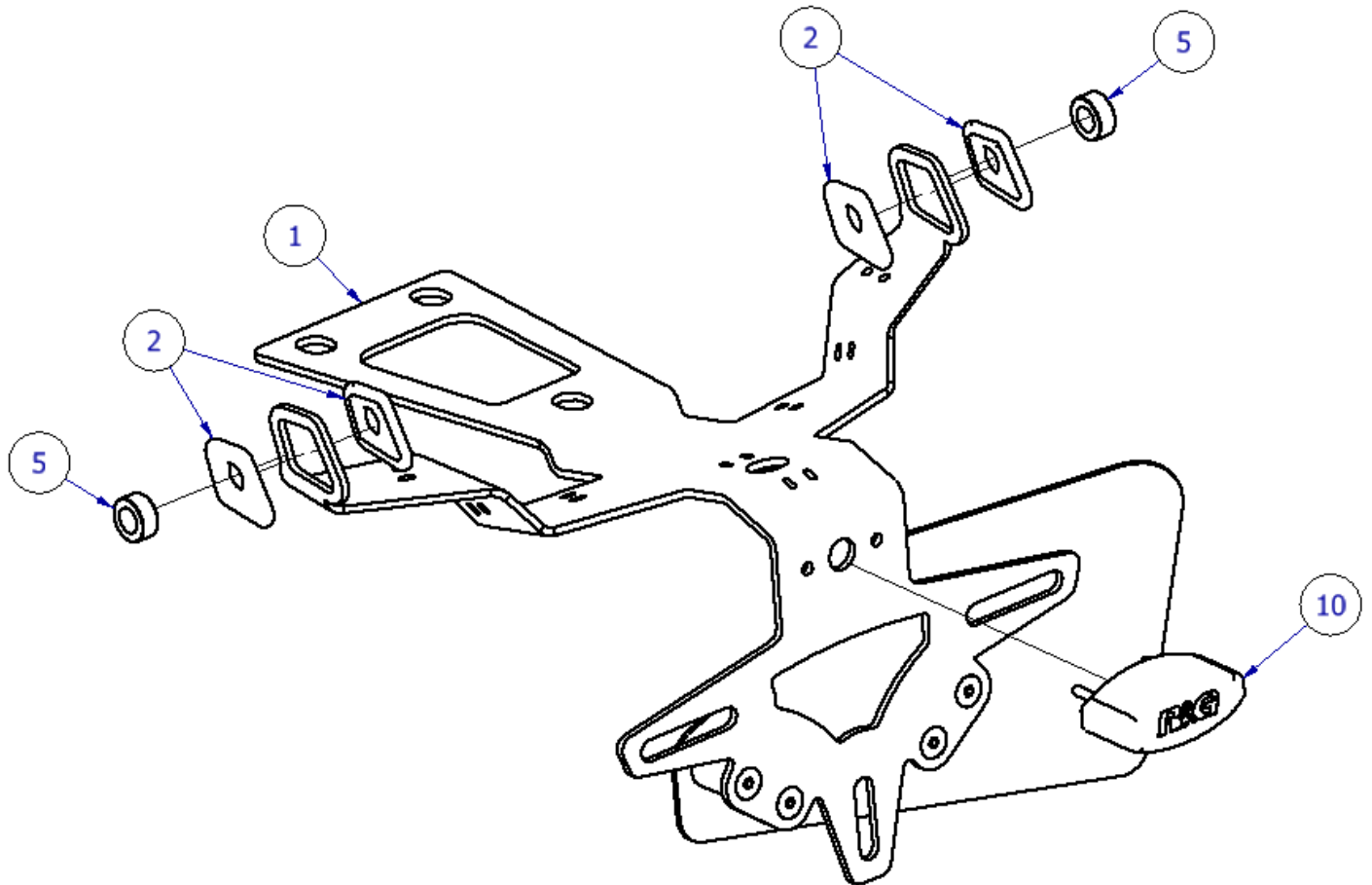


ZUSAMMENBAU ZEICHNUNG 1

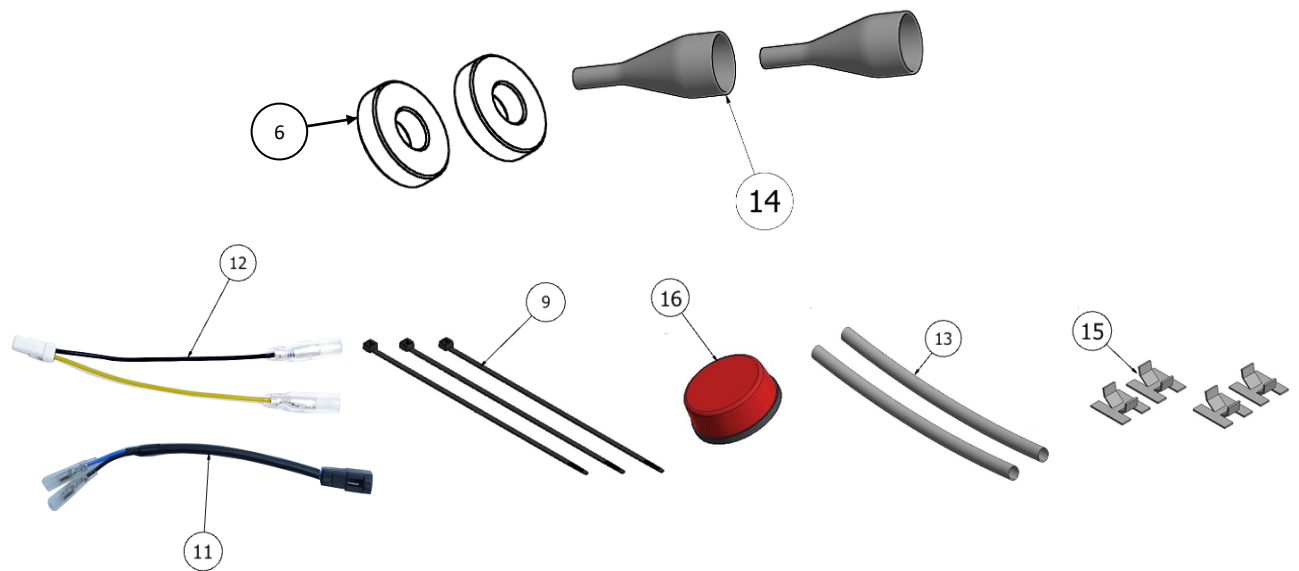
R&G

Unit 1, Shelley's Lane, East Worldham, Alton, Hampshire, GU34 3AQ

Tel: +44 (0)1420 89007 Fax: +44 (0)1420 87301 www.rg-racing.com Email: info@rg-racing.com



ZUSAMMENBAU ZEICHNUNG 2



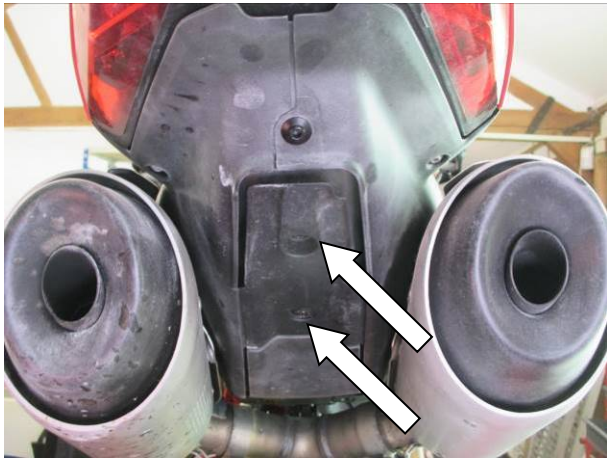


Abbildung 1

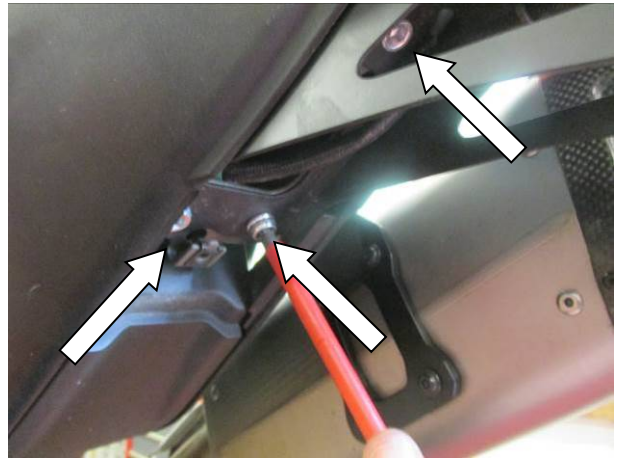


Abbildung 2



Abbildung 3

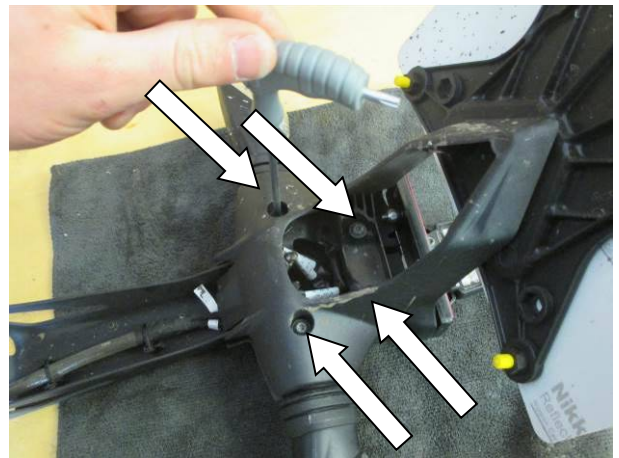


Abbildung 4



Abbildung 5

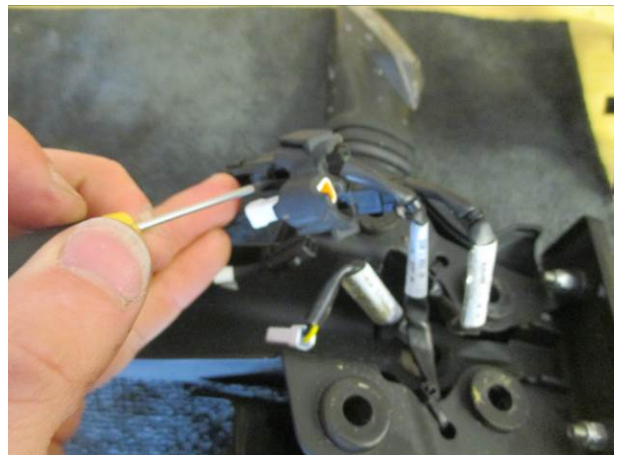


Abbildung 6



Abbildung 7

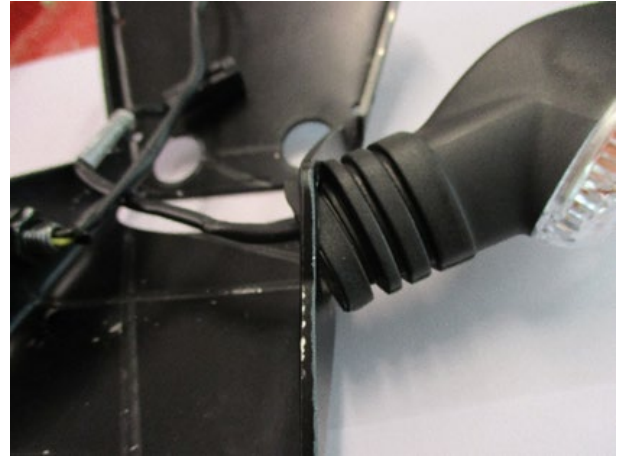


Abbildung 8

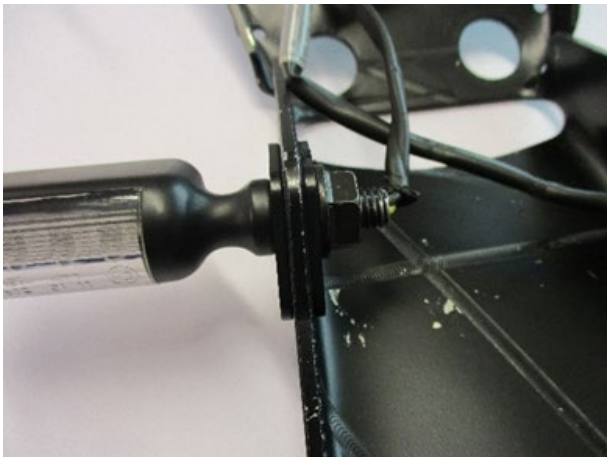


Abbildung 9

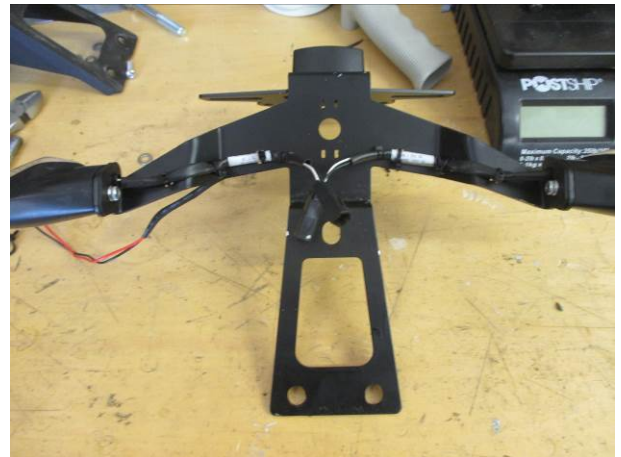


Abbildung 10

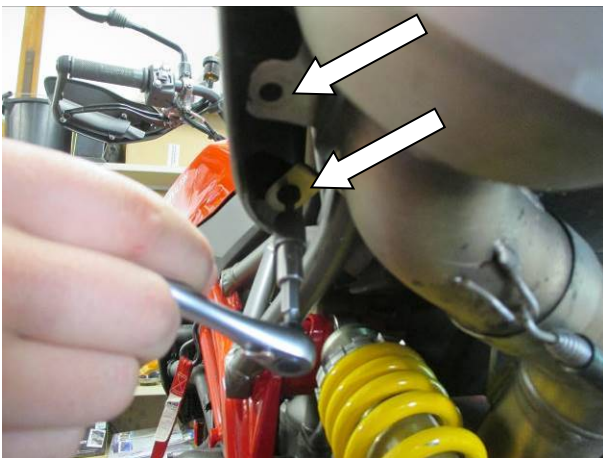


Abbildung 11



Abbildung 12

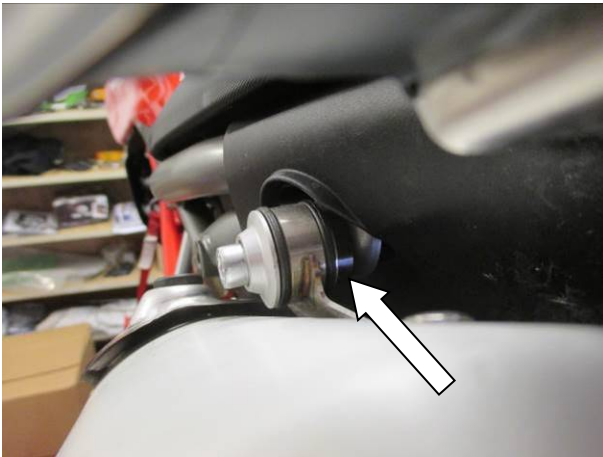


Abbildung 13



Abbildung 14



Abbildung 15



Abbildung 16



MONTAGEANLEITUNG

Entfernung des original Kennzeichenhalters:

- Entfernen Sie zuerst das Verkleidungsteil unter dem Heck, indem Sie die zwei Schrauben, die in **Abbildung 1** markiert sind mit einem 4mm Inbusschlüssel lösen und entfernen.
- Mit einem 6mm Inbusschlüssel die 3 Inbusschrauben entfernen, die den Kennzeichenhalter am Motorrad befestigen – siehe **Abbildung 2**. Bitte die Einheit dabei stützen, um zu verhindern, dass sie runterfällt.
- Beim Abbau des Kennzeichenhalters müssen Sie die Verkabelung am Heck mit einem Flachklingen-Schraubenzieher lösen wie in **Abbildung 3** abgebildet. Der Kennzeichenhalter ist dann vom Motorrad gelöst.
- An der Unterseite des original Kennzeichenhalters, die 4 Torx-Schrauben entfernen, die in **Abbildung 4** abgebildet sind und das Gehäuse für den Blinker spalten, indem Sie das untere Kunststoffteil entfernen und das obere Stück aus den Gummihalierungen im Metallstück schieben – siehe **Abbildung 5** – anschließend sind die Blinker lose.
- Entfernen Sie die Blinker-Verbindungshalterung aus Gummi und trennen Sie die 3 Verbindungen mit einem Flachklingen-Schraubenzieher wie in **Abbildung 6** abgebildet, dann entfernen Sie beide Blinker komplett.
- Trennen Sie die original Kennzeichenbeleuchtung wie zuvor und die Kabelbinder abschneiden, die den Kabelstrang an der Metallhalterung befestigen, dann vom Motorrad entfernen wie in **Abbildung 7** abgebildet. Dies anschließend zur Seite legen für den späteren Einbau.

R&G Kenneichenhalter Zusammenbau:

- Um den R&G Kennzeichenhalter zusammenzubauen, muss zuerst der Hitzeschutz (Artikel 2) am Kennzeichenhalter (Artikel 1) montiert werden – siehe **Zusammenbau Zeichnung 1** auf Seite 2.
- Die 4 x 30mm Senkschrauben (Artikel 7) in die entsprechenden Öffnungen im Kennzeichenhalter (Artikel 1) einführen und einen Distanzhalter (für den Hitzeschutz – Artikel 4) an jeder Schraube anbringen.
- Den Hitzeschutz (Artikel 2) an den hervorstehenden Gewinden positionieren und die Distanzhalter mit den 4 Sicherungsmuttern (Artikel 8) einklemmen, um den Hitzeschutz zu befestigen. Stellen Sie sicher, dass die Sicherungsmuttern komplett eingerastet sind und 1-2 Gewinden durch die Muttern vorstehen.
- Eine Länge Schrumpfschlauch (Artikel 13) an den Kabeln für die Kennzeichenbeleuchtung (Artikel 10) anbringen und mit einer Heißluftpistole oder Ähnliches erwärmen, bis die Kabel ordentlich umhüllt sind.
- Die mitgelieferte Abdeckung für die Kennzeichenbeleuchtung mit etwas Sekundenkleber an der Beleuchtung anbringen – bitte darauf achten, dass das Licht nach unten gerichtet ist, um somit andere Straßenverkehrsteilnehmer auf der Straße nicht zu blenden.
- Diese Einheit am Kennzeichenhalter mit den M4 Unterlegscheiben und Muttern vom Kit anbringen wie in **Zusammenbau Zeichnung 2** auf Seite 3 abgebildet. Ziehen Sie die Muttern mit einem 6mm Steckschlüssel fest.
- Die CON14 Verbindung für die Rückbeleuchtung (Artikel 12) mit den Kabelverbindungen der Kennzeichenbeleuchtung verbinden.

R&G

Unit 1, Shelley's Lane, East Worldham, Alton, Hampshire, GU34 3AQ

Tel: +44 (0)1420 89007 Fax: +44 (0)1420 87301 www.rg-racing.com Email: info@rg-racing.com



Wenn Sie die Originalblinker verwenden:

Wenn Sie die original Ducati Blinker verwenden, müssen diese vom original Kennzeichenhalter wie nachstehend beschrieben entfernt werden. Wenn Sie Miniblinker benutzen, können Sie diesen Teil überspringen.

- Die Kabelbinder abschneiden, die die Kabel befestigen und den Blinker entfernen (bitte die Seite an der der Blinker abmontiert wurde notieren).
- Wiederholen Sie diesen Schritt mit dem zweiten Blinker (bitte die entsprechende Seite notieren).
- Den Stiel des Blinkers zusammendrücken und durch die geformte Öffnung im neuen Kennzeichenhalter (Artikel 1) schieben wie in **Abbildung 8** abgebildet (eine kleine Menge Silicon Fett oder Spülmittel kann hierbei helfen).
- Montieren Sie die Blinker am neuen Kennzeichenhalter (Artikel 1) genauso wie sie vorher am original Kennzeichenhalter montiert waren.

Wenn Sie R&G Miniblinker verwenden:

- Als erstes einen Schrumpfschlauch (Artikel 13) an jedem Kabelpaar anbringen und mit einer Heißluftpistole oder Ähnliches erwärmen, bis die Kabel ordentlich geschützt sind.
- Jeweils einen Distanzhalter (Artikel 5) am Gewinde der zwei Miniblinker anbringen.
- Eine Befestigungsplatte (Artikel 3) über jedes paar Blinker-Kabel führen, so dass die Kabel durch die größere Öffnung passen.
- Jede Blinkereinheit durch die jeweilige Blinker-Halterung am Kennzeichenhalter (Teil 1) führen.
- Schieben Sie eine Kabelabdeckung (Artikel 14) über die Kabelverbindungen an jedem Blinker sodass die Flanschmutter bedeckt ist. *Etwas Spülmittel oder Seife kann helfen, die Kabel durch die Abdeckung zu schieben.*
- Benutzen Sie die übrigen zwei Befestigungsplatten für die Blinker (Artikel 3), um die Blinker am Kennzeichenhalter zu befestigen wie in **Zusammenbau Zeichnung 2** auf Seite 3 und in **Abbildung 9** abgebildet. Es wird empfohlen, eine kleine Menge Loctite zu benutzen, wenn Sie sie die Flanschmutter befestigen, um die Einheit festzuhalten.
- Nachdem die Blinker befestigt sind, benutzen Sie die Kabelbinder (Artikel 9), um die Kabel an der Oberfläche des Kennzeichenhalters zu befestigen wie in **Abbildung 10** abgebildet.
- Montieren Sie einen CON15 Miniblinker-Adapter (Artikel 11) an jedem Miniblinker via die Kabelverbindungen mit den entsprechenden Kabelfarben.

Montage Distanzhalter für den Auspuff:

Um die Wärmeableitung des Auspuffs zu unterstützen, erhalten Sie im Lieferumfang 2 x 6mm Distanzhalter für den Auspuff (Artikel 6). Die Distanzhalter MÜSSEN am Motorrad montiert werden, um eine Beschädigung des Kennzeichens und/oder Kennzeichenhalters zu verhindern.

- Entfernen Sie die Seitenverkleidungen am Heck an beiden Seiten des Motorrads, indem Sie die zwei Sechskantschrauben entfernen – siehe **Abbildung 11**.
- Das Verkleidungsteil vom Motorrad wegziehen, wie in **Abbildung 12 abgebildet**, so dass die Halterungen für den Auspuff zugänglich sind.
- An jeder Seite (jedoch nicht gleichzeitig) die Inbusschraube entfernen, die den Auspuff am Motorradrahmen befestigt und den 6mm Distanzhalter zwischen Auspuff und Halterung platzieren wie in **Abbildung 13** mit einem Pfeil gekennzeichnet. Eventuell müssen Sie den Endtopf etwas drehen, um dies zu erledigen – achten Sie dabei darauf, dass der Auspuffausgang weiter nach außen gerichtet ist als vorher.

R&G

Unit 1, Shelley's Lane, East Worldham, Alton, Hampshire, GU34 3AQ

Tel: +44 (0)1420 89007 Fax: +44 (0)1420 87301 www.rg-racing.com Email: info@rg-racing.com



- Die Montageschraube für den Auspuff wieder befestigen, bevor Sie den Schritt an der anderen Seite wiederholen.
- Zu diesem Zeitpunkt das Motorrad starten, um nach einem eventuellen Leck am Auspuff zu suchen, und wenn notwendig, dies entsprechend neu zu positionieren.
- Montieren Sie die Seitenverkleidungen am Heck wie ursprünglich wieder.

Montage des Kennzeichenhalters:

- Nachdem beide Blinker und die Kennzeichenbeleuchtung am Kennzeichenhalter montiert sind, können Sie den zuvor entfernten Kabelstrang vom original Kennzeichenhalter mit den Verbindungen für die Blinker und die Kennzeichenbeleuchtung verbinden. Bitte darauf achten, dass die Blinkerkabel mit der entsprechenden Seite verbunden sind.
- Die Kabel für die Kennzeichenbeleuchtung an der Unterseite entlang und durch die Öffnung in der Mitte des Kennzeichenhalters verlegen.
- Abhängig von der Wahl der Blinker, die Kabel ordentlich mit den selbstklebenden Kabelclips (Artikel 15) anbringen. Lassen Sie so viel Verkabelung wie möglich an der Oberfläche des Kennzeichenhalters, so wird sie weniger sichtbar, wenn der Kennzeichenhalter am Motorrad montiert ist.
- Bevor Sie den Kennzeichenhalter montieren, verbinden Sie den Kabelstrang für den Kennzeichenhalter mit dem Hauptkabelbaum wie in **Abbildung 14** abgebildet und überprüfen Sie, dass die komplette Beleuchtung ordnungsgemäß funktioniert. Falls die Beleuchtung nicht funktionieren sollte, tauschen Sie die Verbindungen untereinander.
- Nachdem die Beleuchtung erfolgreich überprüft wurde, die Kennzeichenhalter-Einheit am Heck anbringen. Benutzen Sie die 3 zuvor entfernten Originalschrauben, um die Einheit lose in Position zu fixieren – siehe **Abbildung 15**.
- Mit Hilfe der schlitzförmigen Montageöffnungen den Kennzeichenhalter so nah wie möglich am Heck positionieren und die 3 Inbusschrauben mit dem richtigen Anzugsdrehmoment befestigen.
- Etwaige Kabel durch die Öffnung im Kennzeichenhalter in die offene Vertiefung an der Unterseite des Hecks einfädeln.
- Montieren Sie die untere Abdeckung am Heck wieder mit den zwei zuvor entfernten Schrauben. Stellen Sie sicher, dass die Kabel durch die Lücke an der rechten Seite des Verkleidungsteils passen – siehe **Abbildung 16**.
- Montieren Sie das amtliche Kennzeichen (Bohrungen im Kennzeichen evtl. notwendig) mittig am Kennzeichenhalter – achten Sie darauf, dass das Kennzeichen nicht über die Ränder des Hitzeschutzes hängt.
- **WICHTIG: WENN EIN GROSSES KENNZEICHEN ZU WEIT NACH UNTEN MONTIERT WIRD, BESTEHT BEI SCHWERER LAST ODER DURCH GROSSE BODENWELLEN EIN GERINGES RISIKO, DASS DAS KENNZEICHEN AN DAS HINTERRAD STOSSEN KANN. ES LIEGT IN IHRER VERANTWORTUNG DIES ZU ÜBERPRÜFEN UND, WENN NOTWENDIG, ZU VORBEUGENDE MASSNAHMEN ZU ERGREIFEN. DIE NICHTBEACHTUNG DIESER SICHERHEITSHINWEIS KANN ZU SCHWEREN VERLETZUNGEN FÜHREN.**
- Entsprechend der gesetzlichen Vorschriften, den mitgelieferten Rückstrahler (Artikel 16) an die dafür vorgesehene Stelle anbringen.
- Überprüfen Sie die Kennzeichenbeleuchtung / alle Lichter erneut bevor Sie fahren.

AUSGABE 1 06/08/21 (AO)

R&G

Unit 1, Shelley's Lane, East Worldham, Alton, Hampshire, GU34 3AQ
 Tel: +44 (0)1420 89007 Fax: +44 (0)1420 87301 www.rg-racing.com Email: info@rg-racing.com



CONSUMER NOTICE

The catalogue description and any exhibition of samples are only broad indications of the Products and R&G may make design changes which do not diminish their performance or visual appeal and supplying them in such state shall conform to the order. The Buyer acknowledges no representation or warranty (other than as to title) has been given or will apply to the Products other than those in R&G's order or confirmation and the Buyer confirms it has chosen the Products as being of merchantable quality and suitable for its particular purposes. Where R&G fits the Products or undertakes other services it shall exercise reasonable skill and care and rectify any fault free of charge unless the workmanship has been disturbed. The Buyer is responsible for ensuring that the warranty on the motorcycle is not affected by the fitting of the Products. On return of any defective Products R&G shall at its option either supply a replacement or refund the purchase money but shall not be liable if the Products have been modified or used or maintained otherwise than in accordance with R&G's or manufacturer's instructions and good engineering practice or if the defect arises from accident or neglect. Other than identified above and subject to R&G not limiting its liability for causing death and personal injury, it shall not be liable for indirect or consequential loss and otherwise its liability shall be limited to the amounts paid by the Buyer for the Products or the fitting or service concerned. These terms do not affect the Buyer's statutory rights.

R&G RETURNS POLICY (NON-FAULTY GOODS)

Returns must be pre-authorized (if not pre-authorized the return will be rejected). Goods may only be returned direct to us if they were purchased direct from us (customer must prove if necessary). Otherwise to be returned to original vendor. Goods must be in re-sellable condition, in the opinion of R&G. All returns are subject to a 25% restocking and handling fee (25% of the gross value exc. P&P – at the prevailing price at time of purchase). The customer must pay any and all carriage charges. No returns of discontinued products, unless within 14 days of purchase. This policy does not affect your statutory rights and does not refer to faulty goods.

R&G

Unit 1, Shelley's Lane, East Worldham, Alton, Hampshire, GU34 3AQ

Tel: +44 (0)1420 89007 Fax: +44 (0)1420 87301 www.rg-racing.com Email: info@rg-racing.com